

**Model No. RML-655H-XFYPZQ  
655nm RED DIODE LASER SYSTEM UP TO >180mW**

The RML-series 655 nm red diode laser is constructed with features of high stability, low noise option, FDA compliance, ultra-compactness, long lifetime, cost-effectiveness, better M<sup>2</sup> factor and easy operating. It is widely used in measurement, spectrum analysis, laser lighting show, and many other applications. ***In addition, fiber coupled RML-series 655nm diode lasers with FC or SMA905 connector are available upon request.***

**SPECIFICATIONS**

<b>Model No.</b>	<b>RML-655H-XFYPZQ</b>
<b>Wavelength (nm)</b>	655±10
<b>Output power (mW)</b>	>100 ( <b>X=100</b> ), >180 ( <b>X=180</b> )
<b>Transverse mode</b>	Near TEM <sub>00</sub>
<b>Operating mode</b>	CW
<b>Power stability (rms, over 4 hours)</b>	<0.5% ( <b>P=S</b> ), <1% ( <b>P=D</b> )
<b>Noise of amplitude (rms, 20Hz~20MHz)</b>	<1% for Low Noise ( <b>Z=1</b> ); >1% ( <b>Z=2</b> )
<b>M<sup>2</sup> factor</b>	<1.5
<b>Beam diameter at aperture (1/e<sup>2</sup>, mm)</b>	~3.0
<b>Beam divergence, full angle (mrad)</b>	<1.0
<b>Polarization ratio</b>	>50:1, Horizontal ±5 degree
<b>Warm-up time (minutes)</b>	<5
<b>Pointing stability after warm-up (mrad)</b>	<0.05
<b>Beam height from base plate (mm)</b>	24.8
<b>Operating temperature (°C)</b>	10~35
<b>Laser head</b>	143.5(L) x73(W) x46.2(H) mm <sup>3</sup> , 0.7 kg
<b>Power supply (90-240VAC)</b>	<b>Elite Power Supply (Y=E):</b> 171(L) x130(W) x62.2(H) mm <sup>3</sup> , 1.2kg; complete FDA compliant features (turnkey switch and interlock); easy to operate; CW mode with optional TTL or Analog modulation up to 30kHz  <b>Laboratory Power Supply (Y=L):</b> 188.6(L) x155(W) x92(H) mm <sup>3</sup> , 1.5kg; complete FDA compliant features (turnkey switch and interlock) with more functions; CW mode with adjustable output power knob, operating current LED display, and optional TTL or Analog modulation up to 30kHz
<b>Optional modulation</b>	None ( <b>Q=0</b> ) <b>TTL:</b> 1Hz -1kHz ( <b>Q=1</b> ), 1kHz -10kHz ( <b>Q=2</b> ), 10kHz-30kHz ( <b>Q=5</b> ) <b>Analog:</b> 1Hz -1kHz ( <b>Q=3</b> ), 1kHz -10kHz ( <b>Q=4</b> ), 10kHz-30kHz ( <b>Q=6</b> )
<b>Expected lifetime (hours)</b>	10,000
<b>Warranty</b>	10 months
<b>Remarks</b>	The stability of output power may change when you adjust the output power. For example, the stability of output power at the maximum output power is <10%, the stability may change to >10% when you adjust the output power down.

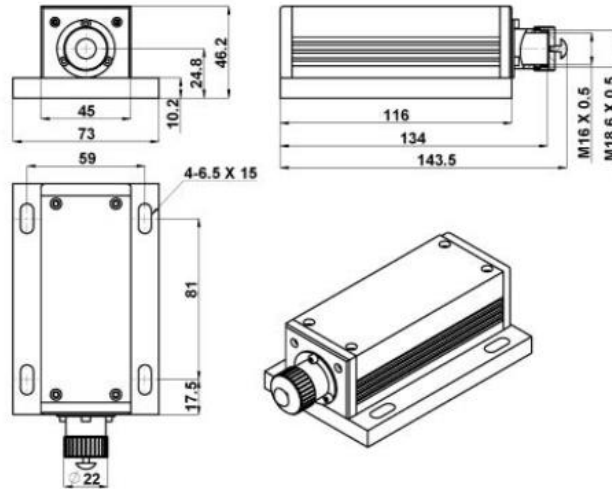
**Note: The above specifications are subject to change without notice.**





**MECHANICAL OUTLINE (unit: mm)**

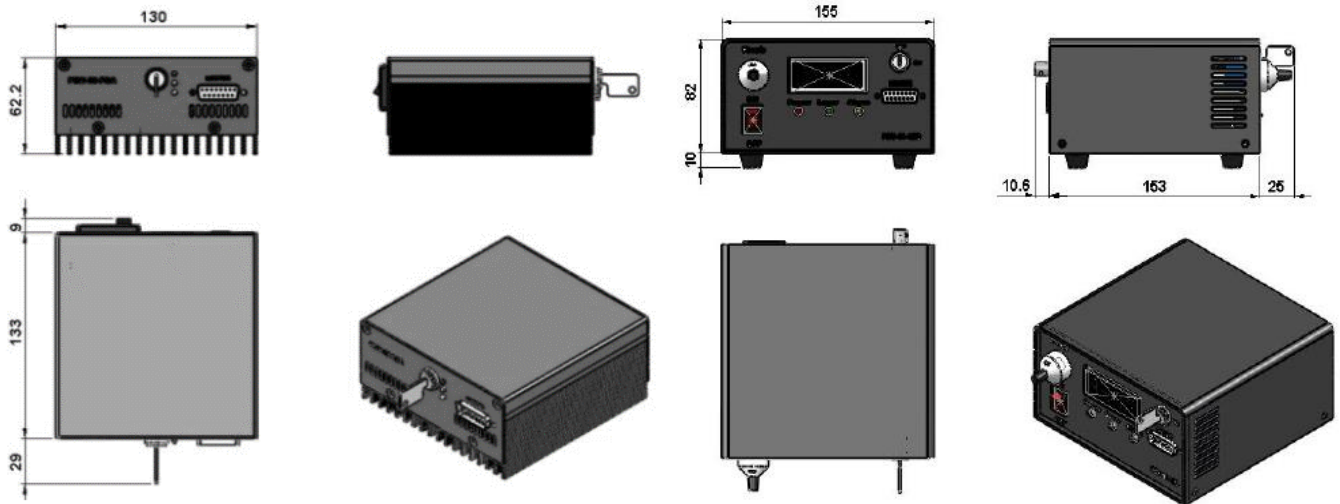
**Laser Head**



**Power Supply**

**Elite Power Supply (Y=E)**

**Laboratory Power Supply (Y=L)**



**Note: The above specifications are subject to change without notice.**