



**Model No. LDLC-635-XFYP
LONG COHERENCE 635nm DIODE LASER UP TO >30mW**

The LDLC-series 635 nm diode laser is constructed with features of long coherent length >1m, stable wavelength, long lifetime and easy operating. It is widely used in holography, interference, fluorescence, photoetching, flow cytometry, DNA sequencing, Raman spectroscopy, laser radar, precision measurement, and many other applications. Housed in ultra-compact package, this laser is the ideal choice for OEM instrumentation, systems design and integration, and for end user applications in research and development.

SPECIFICATIONS

Model No.	LDLC-635-XFYP
Wavelength (nm)	635±5
Output power (mW)	>10 (X=10), >30 (X=30)
Transverse mode	Near TEM ₀₀
Operating mode	CW
Power stability (rms, over 4 hours)	<1% (P=D)
Coherent length (m)	>1
M² factor	<1.5
Beam diameter at aperture (1/e², mm)	~3.0
Beam divergence, full angle (mrad)	<1.0
Polarization ratio	>50:1, Horizontal ±5 degree
Warm-up time (minutes)	<5
Beam height from base plate (mm)	30
Operating temperature (°C)	20~30
Laser head	122.5(L) x65(W) x50(H) mm ³ , 1.0 kg
Power supply (90-260VAC)	Elite Power Supply (Y=E): 171(L) x130(W) x62.2(H) mm ³ , 1.2 kg; complete FDA compliant features (turnkey switch and interlock); easy to operate; CW mode
Expected lifetime (hours)	10,000
Warranty	10 months
Remarks	The stability of output power may change when you adjust the output power. For example, the stability of output power at the maximum output power is <10%, the stability may change to >10% when you adjust the output power down.

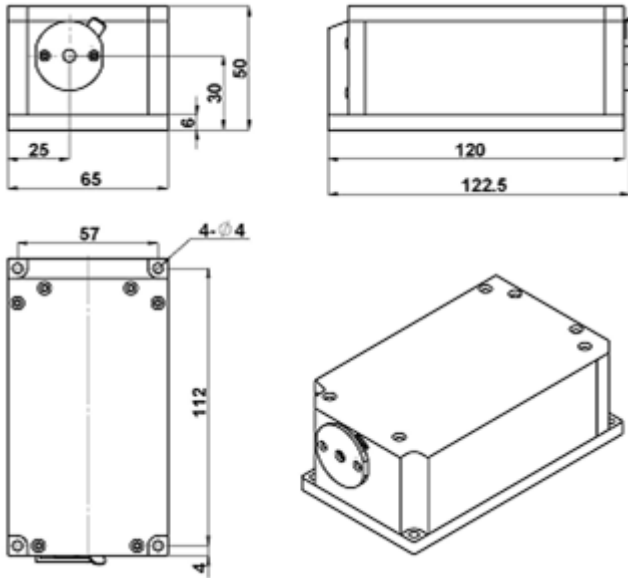
Note: The above specifications are subject to change without notice.



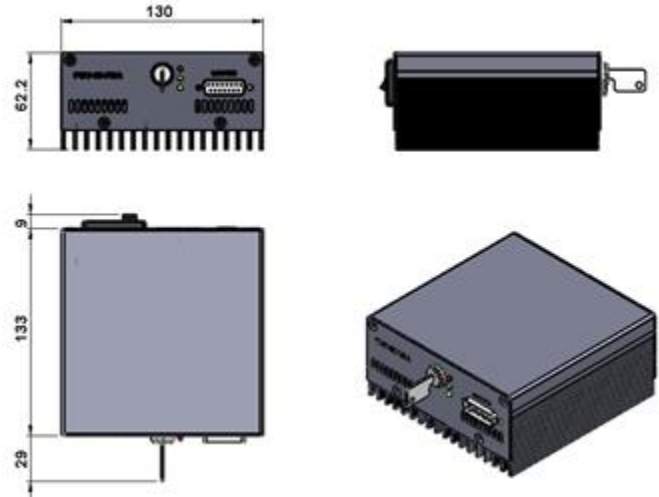


MECHANICAL OUTLINE (unit: mm)

Laser Head

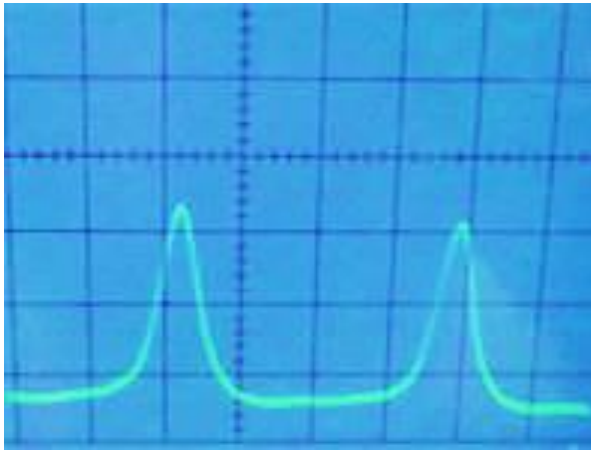


Elite Power Supply (Y=E)

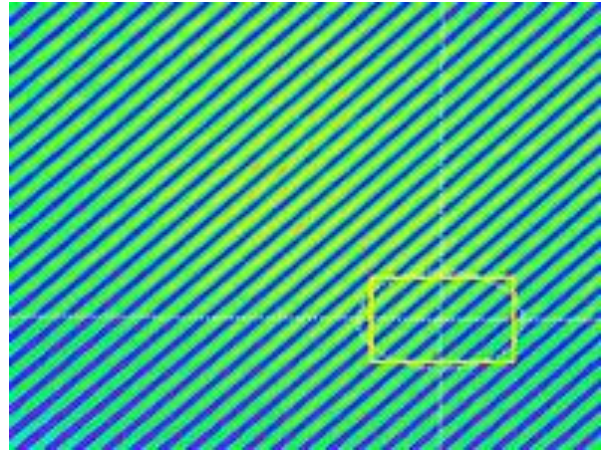


TESTING RESULTS OF LDLC-635-XFYP

Longitudinal Mode Testing



Coherent Fringes Testing at 1m



Note: The above specifications are subject to change without notice.