



Model No. LDLC-514-XFYP
LONG COHERENCE 514.5nm DIODE LASER UP TO >40mW

The LDLC-series 514.5 nm diode laser is constructed with features of long coherent length >1m, stable wavelength, long lifetime and easy operating. It is widely used in holography, interference, fluorescence, photoetching, flow cytometry, DNA sequencing, Raman spectroscopy, laser radar, precision measurement, and many other applications.

SPECIFICATIONS

Table with 2 columns: Specification Name and Value. Rows include Model No., Wavelength (nm), Output power (mW), Transverse mode, Operating mode, Power stability (rms, over 4 hours), Coherent length (m), M² factor, Beam diameter at aperture (1/e², mm), Beam divergence, full angle (mrad), Polarization ratio, Warm-up time (minutes), Beam height from base plate (mm), Operating temperature (°C), Laser head, Power supply (90-260VAC), Expected lifetime (hours), Warranty, and Remarks.

Note: The above specifications are subject to change without notice.



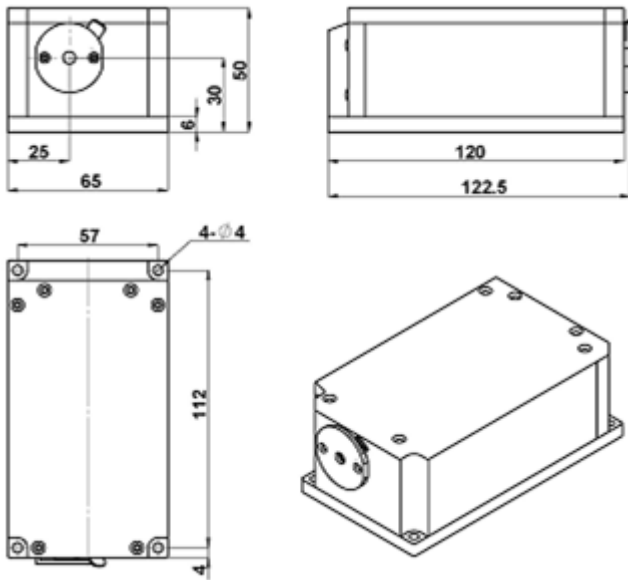


LASERMATE GROUP, INC.

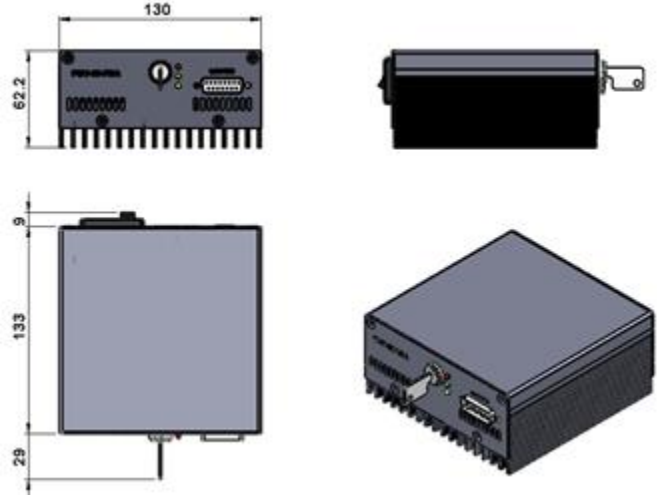
The Friend of Lasers

MECHANICAL OUTLINE (unit: mm)

Laser Head

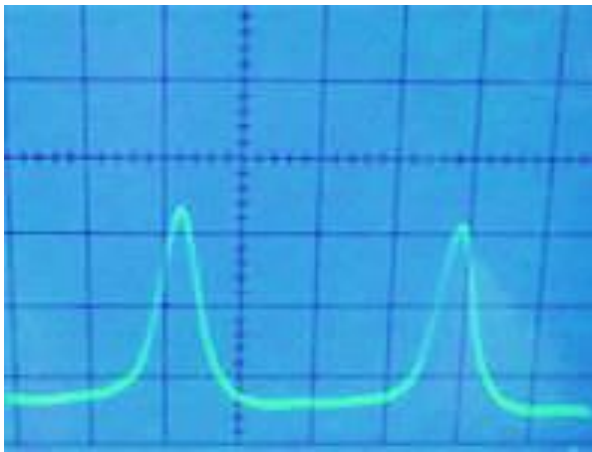


Elite Power Supply (Y=E)

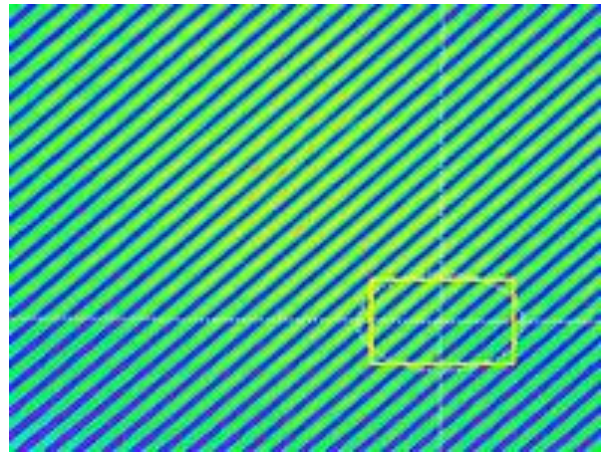


TESTING RESULTS OF LDLC-514-XFYP

Longitudinal Mode Testing



Coherent Fringes Testing at 1m



Note: The above specifications are subject to change without notice.



19608 Camino De Rosa, Walnut, CA 91789, USA | Tel: (909)718-0999 | Fax: (909)718-0998 |

E-mail: info@lasermate.com | URL: <http://www.lasermate.com>