

**Model No. IMLN-1532-XFYP2Q  
1532nm INFRARED DIODE LASER SYSTEM UP TO >3500mW**

The IMLN-series 1532 nm infrared diode laser is constructed with features of high stability, FDA compliance, high power, ultra-compactness, long lifetime, cost-effectiveness, and easy operation. It is widely used in measurement, communication, spectrum analysis, and many other applications. ***In addition, fiber coupled IMLN-series 1532nm diode lasers with FC or SMA905 connector are available upon request.***

**SPECIFICATIONS**

<b>Model No.</b>	<b>IMLN-1532-XFYP2Q</b>
<b>Wavelength (nm)</b>	1532±10
<b>Output power (mW)</b>	>1000 ( <b>X=1W</b> ), >2000 ( <b>X=2W</b> ), >3000 ( <b>X=3W</b> ), >3500 ( <b>X=3500</b> )
<b>Transverse mode</b>	Near TE <sub>00</sub>
<b>Operating mode</b>	CW
<b>Power stability (rms, over 4 hours)</b>	<0.5% ( <b>P=S</b> ), <1% ( <b>P=D</b> )
<b>M<sup>2</sup> factor</b>	<20
<b>Dimensions of beam at aperture (1/e<sup>2</sup>, mm)</b>	5~8
<b>Beam divergence, full angle (mrad)</b>	<3.0
<b>Warm-up time (minutes)</b>	<5
<b>Polarization ratio</b>	>100:1
<b>Beam height from base plate (mm)</b>	68.5
<b>Operating temperature (°C)</b>	10~35
<b>Laser head</b>	245(L) x99(W) x94(H) mm <sup>3</sup> , 2.5 kg
<b>Power supply (100-240VAC)</b>	<b>High Power Elite Power Supply (Y=H):</b> 275(L) x145(W) x104(H) mm <sup>3</sup> , 2.1kg; complete FDA compliant features (turnkey switch and interlock); easy to operate; CW mode with optional TTL or Analog modulation up to 30kHz  <b>High Power Laboratory Power Supply (Y=M):</b> 277(L) x145(W) x106(H) mm <sup>3</sup> , 2.3kg; complete FDA compliant features (turnkey switch and interlock) with more functions; CW mode with adjustable output power knob, operating current LED display, and optional TTL or Analog modulation up to 30kHz
<b>Optional modulation</b>	None ( <b>Q=0</b> ) <b>TTL:</b> 1Hz -1kHz ( <b>Q=1</b> ), 1kHz -10kHz ( <b>Q=2</b> ), 10kHz-30kHz ( <b>Q=5</b> ) <b>Analog:</b> 1Hz -1kHz ( <b>Q=3</b> ), 1kHz -10kHz ( <b>Q=4</b> ), 10kHz-30kHz ( <b>Q=6</b> )
<b>Expected lifetime (hours)</b>	10,000
<b>Warranty</b>	10 months
<b>Remarks</b>	The stability of output power may change when you adjust the output power. For example, the stability of output power at the maximum output power is <10%, the stability may change to >10% when you adjust the output power down.

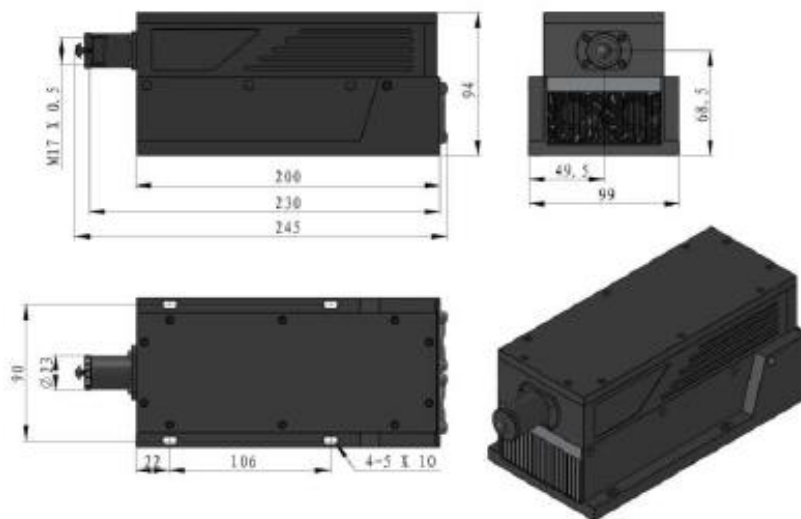
**Note: The above specifications are subject to change without notice.**





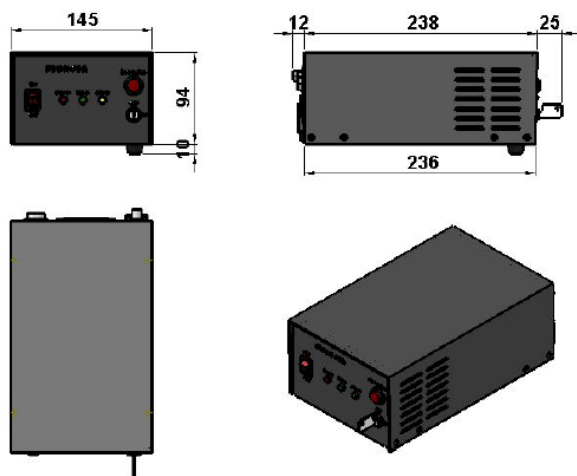
MECHANICAL OUTLINE (unit: mm)

Laser Head

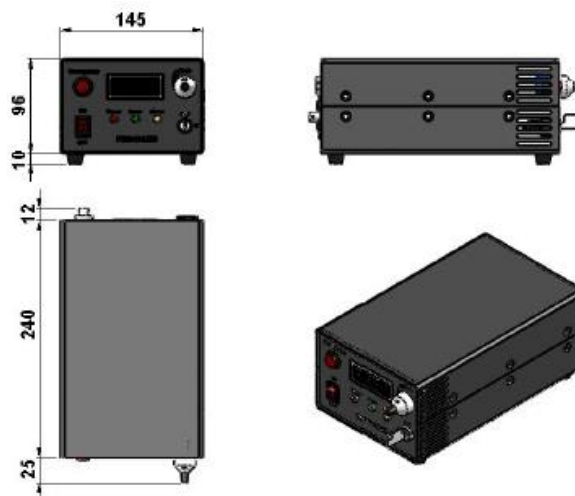


Power Supply

High Power Elite Power Supply (Y=H)



High Power Laboratory Power Supply (Y=M)



Note: The above specifications are subject to change without notice.