



Model No. IMLF-1120-XFYP2Q
1120nm INFRARED DIODE LASER SYSTEM UP TO >5W

The IMLF-series 1120 nm infrared diode laser is constructed with features of high stability, FDA compliance, high power, ultra-compactness, long lifetime, cost-effectiveness and easy operation. It is widely used in measurement, communication, spectrum analysis, and many other applications. In addition, fiber coupled IMLF-series 1120nm diode lasers with FC or SMA905 connector are available upon request.

SPECIFICATIONS

Table with 2 columns: Specification Name and Value. Rows include Model No., Wavelength (nm), Output power (mW), Transverse mode, Operating mode, Power stability (rms, over 4 hours), Beam diameter at aperture, Beam divergence, full angle (mrad), Warm-up time (minutes), Beam height from base plate (mm), Operating temperature (°C), Laser head, Power supply (90-240VAC), Optional modulation, Expected lifetime (hours), Warranty, and Remarks.

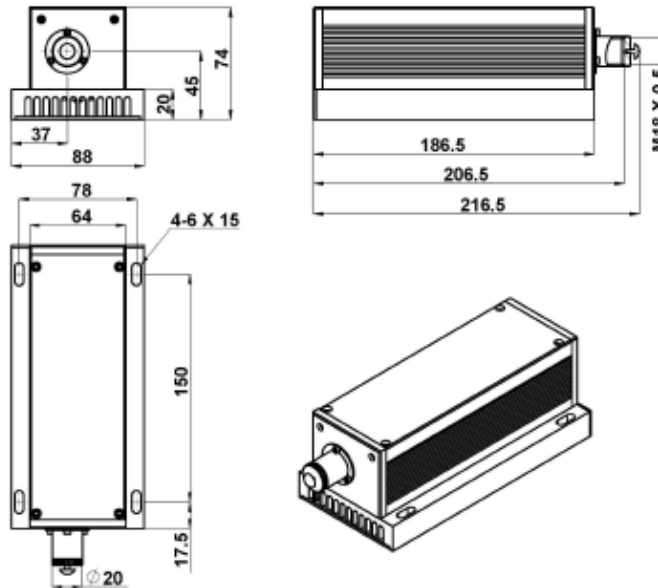
Note: The above specifications are subject to change without notice.





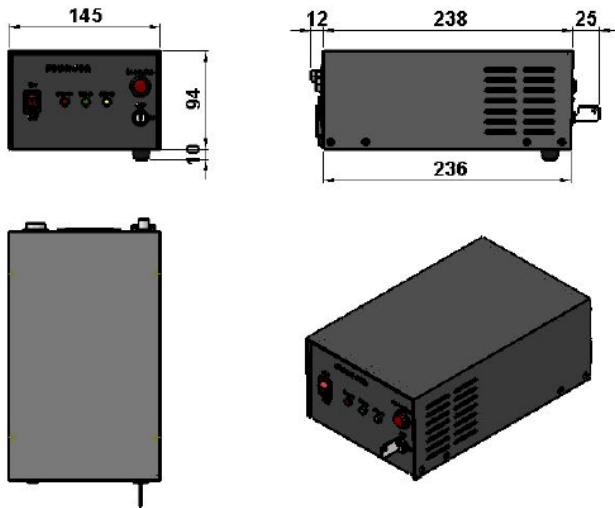
MECHANICAL OUTLINE (unit: mm)

Laser Head

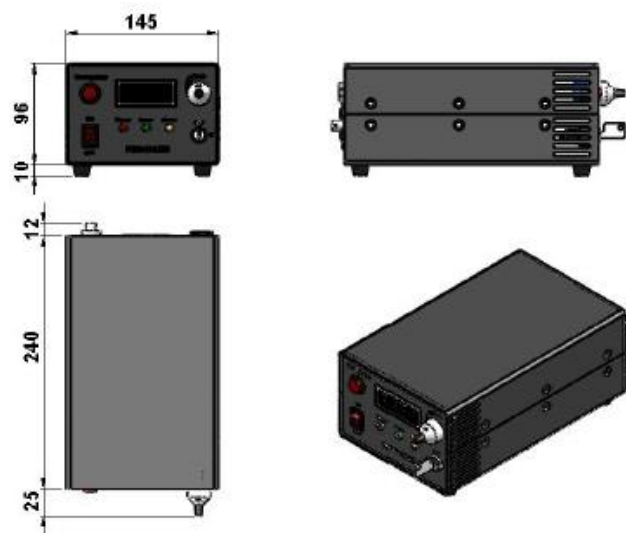


Power Supply

High Power Elite Power Supply (Y=H)



High Power Laboratory Power Supply (Y=M)



Note: The above specifications are subject to change without notice.