



Model No. IML-1550R-XFYP2Q
1550nm INFRARED DIODE LASER SYSTEM UP TO >200mW

The IML-series 1550 nm infrared diode laser is constructed with features of high stability, FDA compliance, circular beam, ultra-compactness, long lifetime, cost-effectiveness, and easy operation. It is used in measurement, communication, spectrum analysis, and many other applications. In addition, fiber coupled IML-series 1550nm diode lasers with FC or SMA905 connector are available upon request.

SPECIFICATIONS

Table with 2 columns: Specification Name and Value. Rows include Model No., Wavelength (nm), Output power (mW), Transverse mode, Operating mode, Power stability (rms, over 4 hours), Dimensions of beam at aperture (mm), Beam divergence, full angle (mrad), Warm-up time (minutes), Beam height from base plate (mm), Operating temperature (°C), Laser head, Power supply (90-240VAC), Optional modulation, Expected lifetime (hours), Warranty, and Remarks.

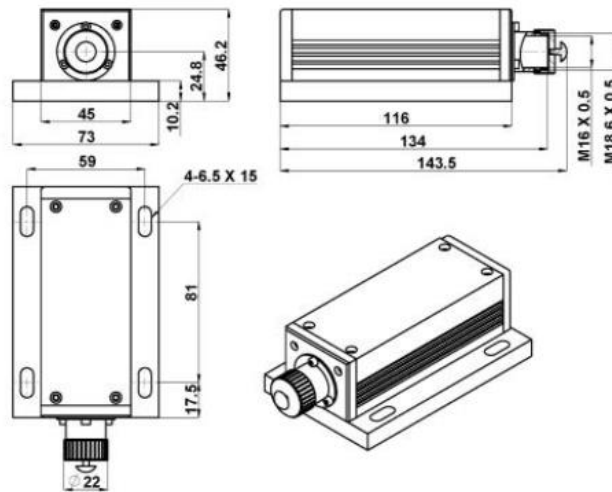
Note: The above specifications are subject to change without notice.





**MECHANICAL OUTLINE (unit: mm)**

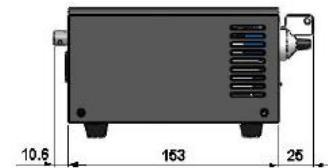
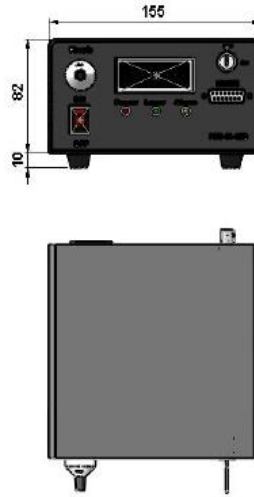
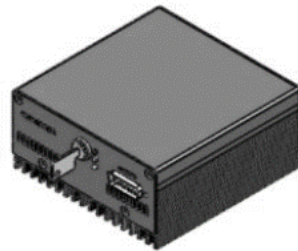
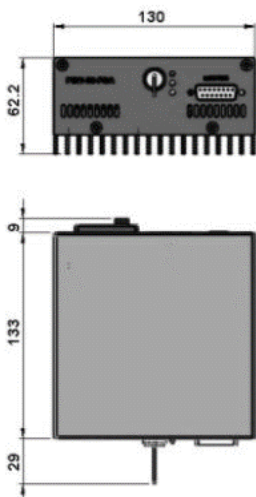
**Laser Head**



**Power Supply**

**Elite Power Supply (Y=E)**

**Laboratory Power Supply (Y=L)**



**Note: The above specifications are subject to change without notice.**