



LASERMATE GROUP, INC.

The Friend of Lasers

Model No. IML-1470R-XFYP2Q
1470nm INFRARED DIODE LASER SYSTEM UP TO >200mW

The IML-series 1470 nm infrared diode laser is constructed with features of high stability, FDA compliance, circular beam, ultra-compactness, long lifetime, cost-effectiveness, and easy operation. It is used in measurement, communication, spectrum analysis, and many other applications. *In addition, fiber coupled IML-series 1470nm diode lasers with FC or SMA905 connector are available upon request.*

SPECIFICATIONS

Model No.	IML-1470R-XFYP2Q
Wavelength (nm)	1470±10
Output power (mW)	>50 (X=50), >100 (X=100), >200 (X=200)
Transverse mode	Round
Operating mode	CW
Power stability (rms, over 4 hours)	<1% (P=D)
Dimensions of beam at aperture (mm)	~2
Beam divergence, full angle (mrad)	<8 for X=50, 100; <18 for X=150
Warm-up time (minutes)	<5
Beam height from base plate (mm)	24.8
Operating temperature (°C)	10~35
Laser head	143.5(L) x73(W) x46.2(H) mm ³ , 0.7 kg
Power supply (90-240VAC)	Elite Power Supply (Y=E): 171(L) x130(W) x62.2(H) mm ³ , 1.2kg; complete FDA compliant features (turnkey switch and interlock); easy to operate; CW mode with optional TTL or Analog modulation up to 30kHz Laboratory Power Supply (Y=L): 188.6(L) x155(W) x92(H) mm ³ , 1.5kg; complete FDA compliant features (turnkey switch and interlock) with more functions; CW mode with adjustable output power knob, operating current LED display, and optional TTL or Analog modulation up to 30kHz
Optional modulation	None (Q=0) TTL: 1Hz -1kHz (Q=1), 1kHz -10kHz (Q=2), 10kHz-30kHz (Q=5) Analog: 1Hz -1kHz (Q=3), 1kHz -10kHz (Q=4), 10kHz-30kHz (Q=6)
Expected lifetime (hours)	10,000
Warranty	10 months
Remarks	The stability of output power may change when you adjust the output power. For example, the stability of output power at the maximum output power is <10%, the stability may change to >10% when you adjust the output power down.

Note: The above specifications are subject to change without notice.



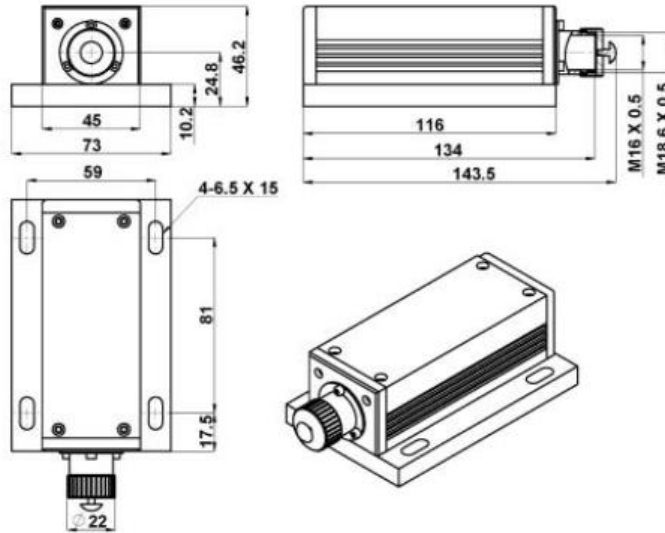
19608 Camino De Rosa, Walnut, CA 91789, USA | Tel: (909)718-0999 | Fax: (909)718-0998 |

E-mail: info@lasermate.com | URL: <http://www.lasermate.com>



MECHANICAL OUTLINE (unit: mm)

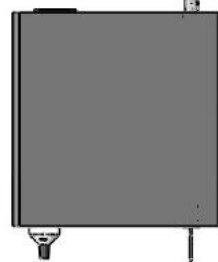
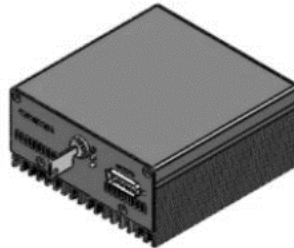
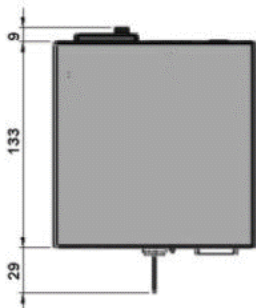
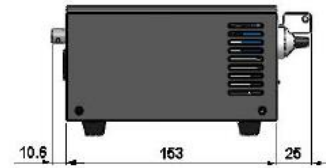
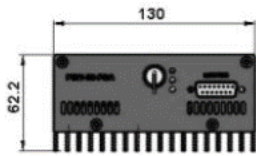
Laser Head



Power Supply

Elite Power Supply (Y=E)

Laboratory Power Supply (Y=L)



Note: The above specifications are subject to change without notice.