



Model No. IML-1470-XFYPZQ
1470nm INFRARED DIODE LASER SYSTEM UP TO >500mW

The IML-series 1470 nm infrared diode laser is constructed with features of high stability, low noise option, FDA compliance, ultra-compactness, long lifetime, cost-effectiveness, and easy operation. It is widely used in measurement, communication, spectrum analysis, and many other applications. *In addition, fiber coupled IML-series 1470nm diode lasers with FC or SMA905 connector are available upon request.*

SPECIFICATIONS

| | |
|---|---|
| Model No. | IML-1470-XFYPZQ |
| Wavelength (nm) | 1470±10 |
| Output power (mW) | >100 (X=100), >300 (X=300), >500 (X=500) |
| Transverse mode | Multimode |
| Operating mode | CW |
| Power stability (rms, over 4 hours) | <1% (P=D) |
| Noise of amplitude (rms, 20Hz~20MHz) | <1% for Low Noise (Z=1); >1% (Z=2) |
| Dimensions of beam at aperture (mm) | ~5x8 |
| Beam divergence, full angle (mrad) | <3.0 |
| Warm-up time (minutes) | <5 |
| Beam height from base plate (mm) | 24.8 |
| Operating temperature (°C) | 10~35 |
| Laser head | 146(L) x73(W) x46.2(H) mm ³ , 0.7 kg |
| Power supply (90-240VAC) | Elite Power Supply (Y=E): 171(L) x130(W) x62.2(H) mm ³ , 1.2kg; complete FDA compliant features (turnkey switch and interlock); easy to operate; CW mode with optional TTL or Analog modulation up to 30kHz Laboratory Power Supply (Y=L): 188.6(L) x155(W) x92(H) mm ³ , 1.5kg; complete FDA compliant features (turnkey switch and interlock) with more functions; CW mode with adjustable output power knob, operating current LED display, and optional TTL or Analog modulation up to 30kHz |
| Optional modulation | None (Q=0) TTL: 1Hz -1kHz (Q=1), 1kHz -10kHz (Q=2), 10kHz-30kHz (Q=5) Analog: 1Hz -1kHz (Q=3), 1kHz -10kHz (Q=4), 10kHz-30kHz (Q=6) |
| Expected lifetime (hours) | 10,000 |
| Warranty | 10 months |
| Remarks | The stability of output power may change when you adjust the output power. For example, the stability of output power at the maximum output power is <10%, the stability may change to >10% when you adjust the output power down. |

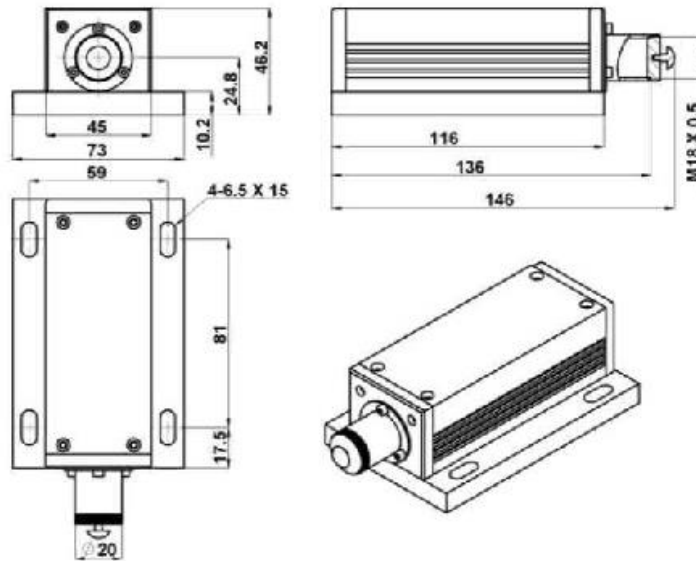
Note: The above specifications are subject to change without notice.





MECHANICAL OUTLINE (unit: mm)

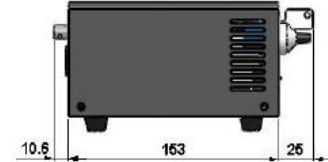
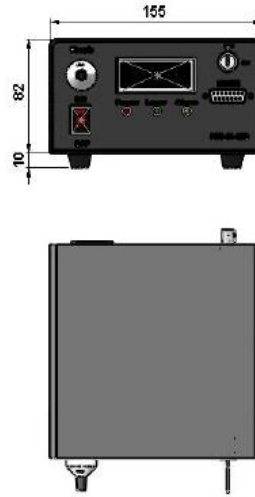
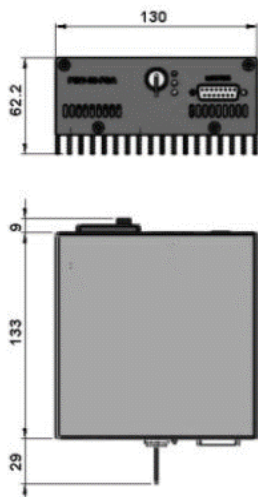
Laser Head



Power Supply

Elite Power Supply (Y=E)

Laboratory Power Supply (Y=L)



Note: The above specifications are subject to change without notice.