



**Model No. IML-1064H-XFYP2Q**  
**1064nm INFRARED DIODE LASER SYSTEM UP TO >200mW**

The IML-series 1064 nm infrared diode laser is constructed with features of high stability, FDA compliance, ultra-compactness, long lifetime, cost-effectiveness, better beam quality with near TEM<sub>00</sub> and easy operating. It is widely used in measurement, spectrum analysis, communication, and many other applications. *In addition, fiber coupled IML-series 1064nm diode lasers with FC or SMA905 connector are available upon request.*

**SPECIFICATIONS**

<b>Model No.</b>	<b>IML-1064H-XFYP2Q</b>
<b>Wavelength (nm)</b>	1064±5
<b>Output power (mW)</b>	>100 (X=100), >200 (X=200)
<b>Transverse mode</b>	Near TEM <sub>00</sub>
<b>Operating mode</b>	CW
<b>Power stability (rms, over 4 hours)</b>	<1% (P=D)
<b>Spectral line width (nm)</b>	<0.5
<b>Dimensions of beam at aperture (1/e<sup>2</sup>, mm)</b>	~3.5
<b>Beam divergence, full angle (mrad)</b>	<1.0
<b>Warm-up time (minutes)</b>	<5
<b>Beam height from base plate (mm)</b>	24.8
<b>Operating temperature (°C)</b>	10~35
<b>Laser head</b>	139(L) x73(W) x46.2(H) mm <sup>3</sup> , 0.6 kg
<b>Power supply (90-240VAC)</b>	<b>Elite Power Supply (Y=E):</b> 133(L) x130(W) x62.2(H) mm <sup>3</sup> , 1.2kg; complete FDA compliant features (turnkey switch and interlock); easy to operate; CW mode with optional TTL or Analog modulation up to 30kHz  <b>Laboratory Power Supply (Y=L):</b> 153(L) x155(W) x92(H) mm <sup>3</sup> , 1.5kg; complete FDA compliant features (turnkey switch and interlock) with more functions; CW mode with adjustable output power knob, operating current LED display, and optional TTL or Analog modulation up to 30kHz
<b>Optional modulation</b>	None (Q=0) <b>TTL:</b> 1Hz -1kHz (Q=1), 1kHz -10kHz (Q=2), 10kHz-30kHz (Q=5) <b>Analog:</b> 1Hz -1kHz (Q=3), 1kHz -10kHz (Q=4), 10kHz-30kHz (Q=6)
<b>Expected lifetime (hours)</b>	10,000
<b>Warranty</b>	10 months
<b>Remarks</b>	The stability of output power may change when you adjust the output power. For example, the stability of output power at the maximum output power is <10%, the stability may change to >10% when you adjust the output power down.

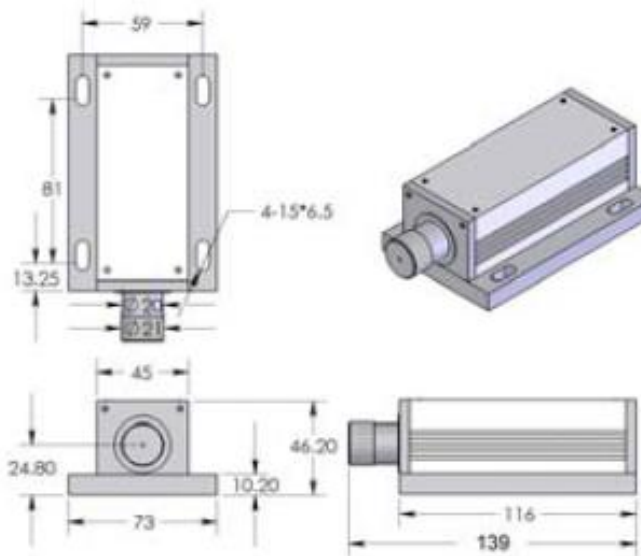
**Note: The above specifications are subject to change without notice.**





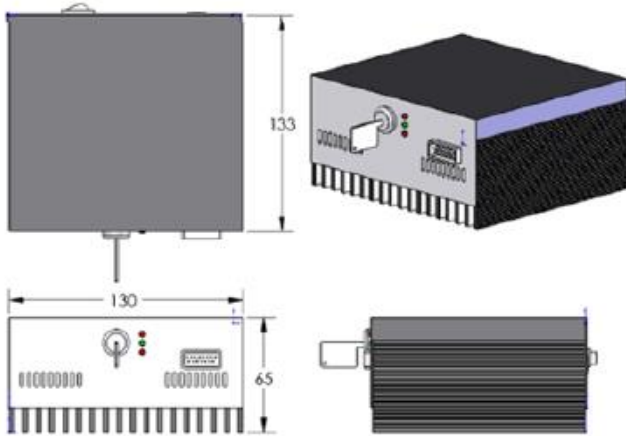
**MECHANICAL OUTLINE (unit: mm)**

**Laser Head**



**Power Supply**

**Elite Power Supply (Y=E)**



**Laboratory Power Supply (Y=L)**



**Note: The above specifications are subject to change without notice.**