



**Model No. GSLF-532-XFYP**  
**532nm SINGLE LONGITUDINAL MODE LASER UP TO >1000mW**

The GSLF-series 532nm all-solid-state single longitudinal mode laser is constructed with features of FDA compliance, ultra-compactness, long lifetime, low cost and easy operating. It is widely used in DNA sequencing, flow cytometry, cell sorting, optical instrument, spectrum analysis, interference, measurement, holography, physics experiment and many other applications.

**SPECIFICATIONS**

<b>Model No.</b>	<b>GSLF-532-XFYP</b>
<b>Wavelength (nm)</b>	532±1
<b>Output power (mW)</b>	>500 (X=500), >1000 (X=1W)
<b>Transverse mode</b>	TEM <sub>00</sub>
<b>Operating mode</b>	CW
<b>Power stability (rms, over 4 hours)</b>	<3% (P=E), <2% (P=2), <1% (P=D) for X=500 <3% (P=E), <2% (P=2) for X=1W
<b>Longitudinal mode</b>	Single
<b>Spectral linewidth (nm)</b>	<0.00001
<b>Coherent length (m)</b>	>50
<b>Noise of amplitude (rms, 1Hz-20MHz)</b>	<1% (typical <0.5%)
<b>Beam diameter at the aperture (1/e<sup>2</sup>, mm)</b>	<2.5
<b>Beam divergence, full angle (mrad)</b>	<1.2
<b>M<sup>2</sup> factor</b>	<1.5
<b>Polarization ratio</b>	>100:1, Vertical ±5 degree
<b>Warm-up time (minutes)</b>	<10
<b>Pointing stability after warm-up (mrad)</b>	<0.05
<b>Beam height from base plate (mm)</b>	45
<b>Operating temperature (°C)</b>	15-35
<b>Laser head</b>	211(L)×88(W) ×74(H) mm <sup>3</sup> , 2.0 kg
<b>Power supply (90-240VAC)</b>	<b>High Power Elite Power Supply (Y=H):</b> 236(L) ×145(W) ×104(H) mm <sup>3</sup> , 2.3 kg; CW mode with complete FDA compliant features, such as the turnkey switch and interlock, and easy to operate
<b>Expected lifetime (hours)</b>	10,000
<b>Warranty</b>	10 months

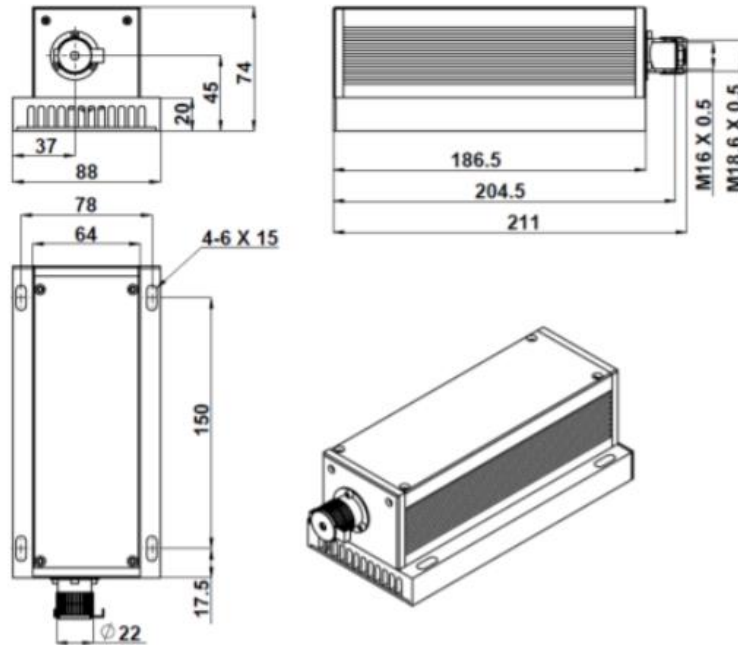
**Note: The above specifications are subject to change without notice.**





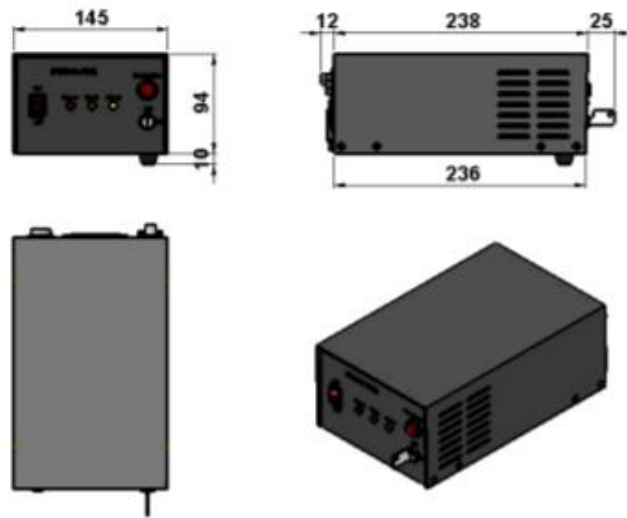
**MECHANICAL OUTLINE (unit: mm)**

**Laser Head**



**Power Supply**

**High Power Elite Power Supply (Y=H):**



**Note: The above specifications are subject to change without notice.**

