



Model No. FLPM-355-K-XZ
355nm UV FIBER PULSED LASER SYSTEM UP TO ~50mW

The FLPM-series 355nm picosecond all fiber pulsed laser is constructed with features of high output power stability, good beam profile, ultra-compact design, long lifetime, cost-effectiveness and easy operation. It is commonly used in scientific research, laser processing and many other applications.

SPECIFICATIONS

Model No.	FLPM-355-K-XZ	
Wavelength (nm)	355±1	
Operating mode	Pulsed	
Output power (mW)	~10@5MHz (X=10), ~30@5MHz (X=30), ~50@5MHz (X=50)	
Pulse width (ps)	One fixed value between 100-900ps	
Power stability (rms, over 4 hours)	<5% (Z=A), <3% (Z=E)	
Repetition frequency (MHz)	One fixed value between 0.1-20MHz	
M² factor	<1.8	
Polarization ratio	>15dB	
Warm-up time (minutes)	<15	
Beam height from base plate (mm)	30	
Operating temperature (°C)	15-35	
Third Harmonic	364(L) x125(W) x67(H) mm ³ ; 1.1 kg	
Power supply	Input voltage	12V DC
	Dimensions/Weight	344(L) x200(W) x100(H) mm ³ ; 6.5 kg
Expected lifetime (hours)	10,000	
Warranty	10 months	

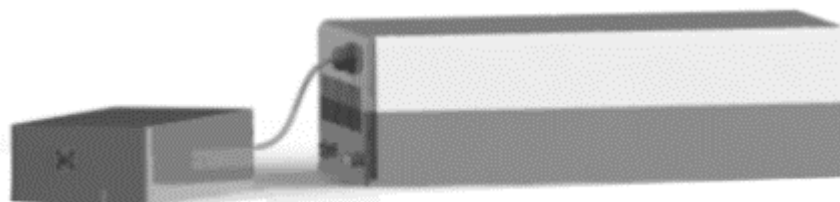
Note: The above specifications are subject to change without notice.

FLPM-355-K-XZ



Third Harmonic

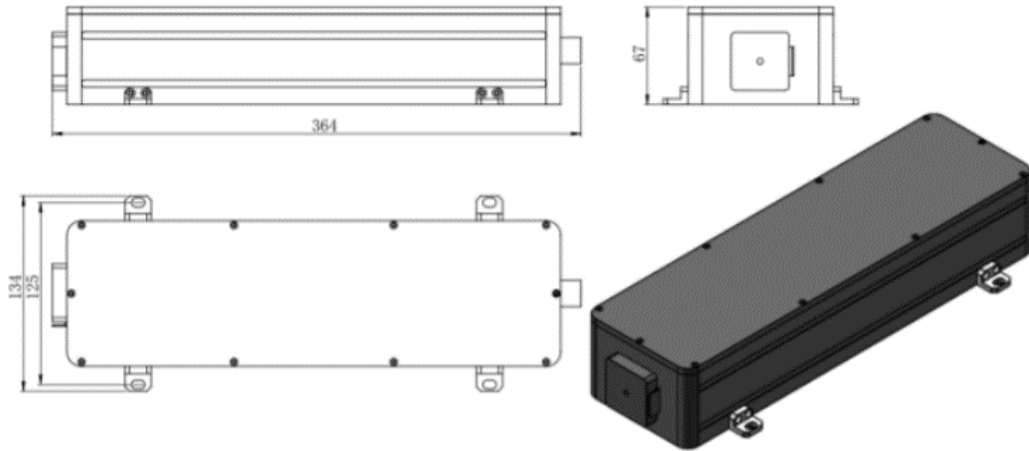
FLPM-1064-K-XZ



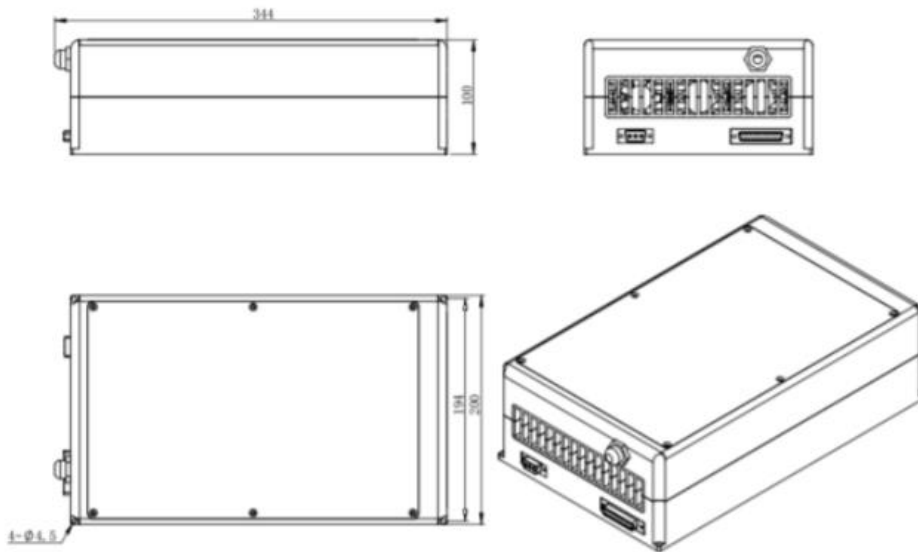


MECHANICAL OUTLINE (unit: mm)

Third Harmonic



FLPM-1064-K-XZ



Front Panel



Back Panel



Note: The above specifications are subject to change without notice.