



**Model No. FLPM-266-P-XZ**  
**266nm UV FIBER PULSED LASER SYSTEM UP TO ~10mW**

The FLPM-series 266nm picosecond all fiber pulsed laser with SESAM technique is constructed with features of high output power stability, good beam profile, ultra-compact design, long lifetime, cost-effectiveness and easy operation. It is commonly used in scientific research, laser processing and many other applications.

**SPECIFICATIONS**

<b>Model No.</b>	<b>FLPM-266-P-XZ</b>	
<b>Wavelength (nm)</b>	266±1	
<b>Operating mode</b>	Passive mode-locked	
<b>Output power (mW)</b>	~5 (X=5), ~10 (X=10)	
<b>Pulse width (ps)</b>	<10	
<b>Power stability (rms, over 4 hours)</b>	<5% (Z=A), <3% (Z=E)	
<b>Repetition frequency (MHz)</b>	One fixed value between 20-80 MHz ±1 MHz	
<b>M<sup>2</sup> factor</b>	<1.5	
<b>Polarization ratio</b>	>15dB	
<b>Warm-up time (minutes)</b>	<15	
<b>Beam height from base plate (mm)</b>	30	
<b>Operating temperature (°C)</b>	15-35	
<b>Forth Harmonic</b>	364(L) x125(W) x67(H) mm <sup>3</sup> ; 1.1 kg	
<b>Power supply</b>	Input voltage	12V DC
	Dimensions/Weight	344(L) x200(W) x100(H) mm <sup>3</sup> ; 6.5 kg
<b>Expected lifetime (hours)</b>	10,000	
<b>Warranty</b>	10 months	

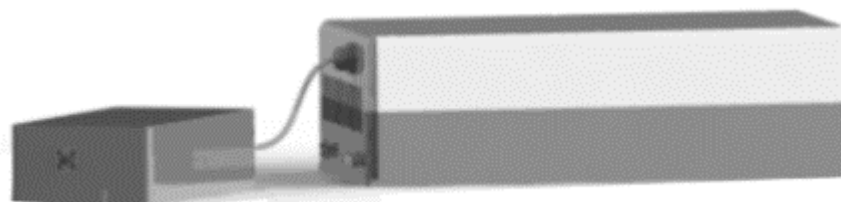
**Note: The above specifications are subject to change without notice.**

**FLPM-266-P-XZ**



**Forth Harmonic**

**FLPM-1064-P-XZ**



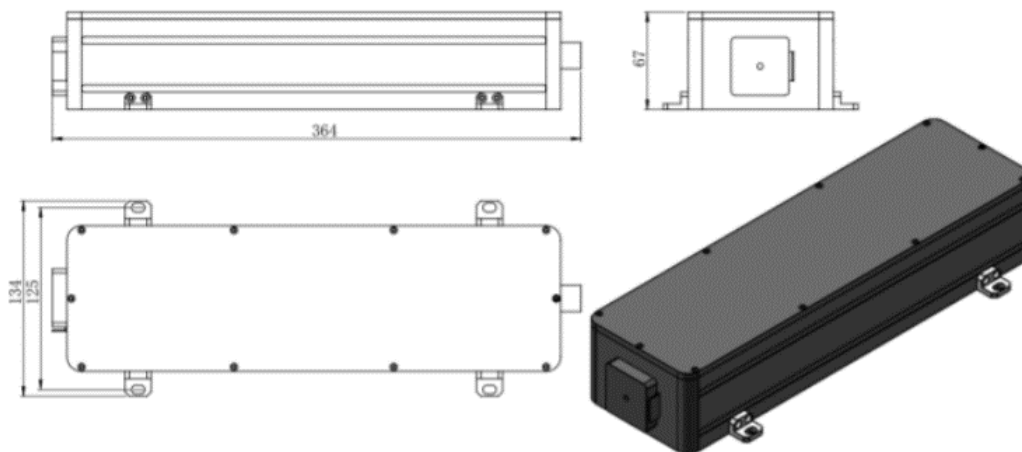


**LASERMATE GROUP, INC.**

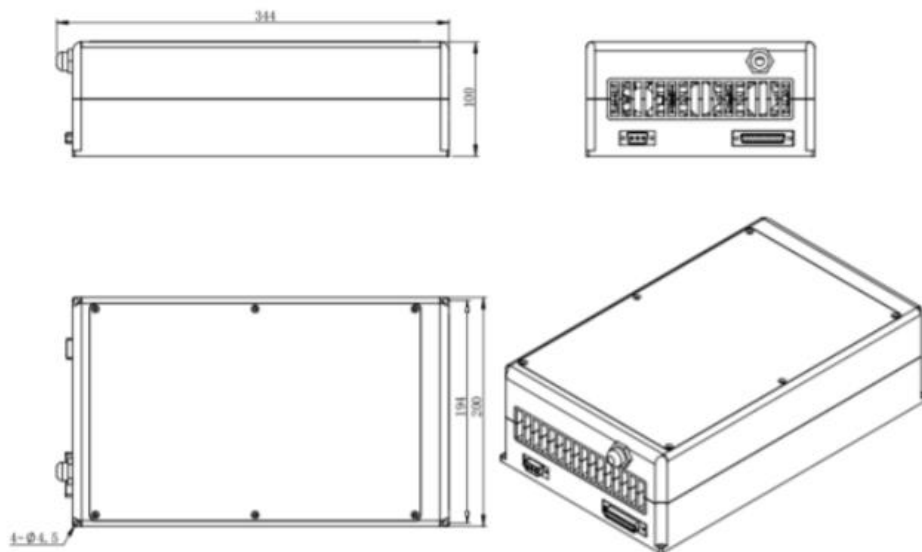
**The Friend of Lasers**

**MECHANICAL OUTLINE (unit: mm)**

**Forth Harmonic**



**FLPM-1064-P-XZ**



**Front Panel**



**Back Panel**



**Note: The above specifications are subject to change without notice.**



19608 Camino De Rosa, Walnut, CA 91789, USA | Tel: (909)718-0999 | Fax: (909)718-0998 |

E-mail: [info@lasermate.com](mailto:info@lasermate.com) | URL: <http://www.lasermate.com>