



**Model No. FLPM-266-N-XZ**

**266nm HIGH FREQUENCY UV FIBER PULSED LASER SYSTEM UP TO ~50mW**

The FLPM-series 266nm high frequency all fiber pulsed laser is constructed with features of high output power stability, good beam profile, ultra-compact design, long lifetime, low cost and easy operation. It is commonly used in scientific research, laser processing and many other applications.

**SPECIFICATIONS**

<b>Model No.</b>	<b>FLPM-266-N-XZ</b>	
<b>Wavelength (nm)</b>	266±1	
<b>Operating mode</b>	Pulsed	
<b>Output power (mW)</b>	~10 (X=10), ~20 (X=20), ~30 (X=30), ~50 (X=50)	
<b>Pulse width (ns)</b>	One fixed value between 0.5-50ns	
<b>Power stability (rms, over 4 hours)</b>	<5% (Z=A)	
<b>Repetition frequency (MHz)</b>	One fixed value between 0.1-1MHz	
<b>M<sup>2</sup> factor</b>	<1.8	
<b>Polarization ratio</b>	>15dB	
<b>Warm-up time (minutes)</b>	<15	
<b>Operating temperature (°C)</b>	15-35	
<b>Forth Harmonic</b>	364(L) x125(W) x67(H) mm <sup>3</sup> ; 1.1 kg	
<b>Power supply</b>	<b>Input voltage</b>	12V DC
	<b>Dimensions/Weight</b>	344(L) x200(W) x100(H) mm <sup>3</sup> ; 6.5 kg
<b>Expected lifetime (hours)</b>	10,000	
<b>Warranty</b>	10 months	

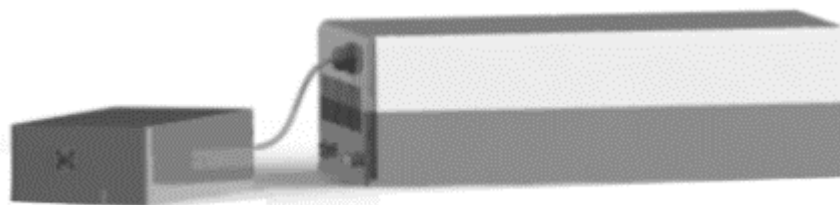
**Note: The above specifications are subject to change without notice.**

**FLPM-266-N-XZ**



**Forth Harmonic**

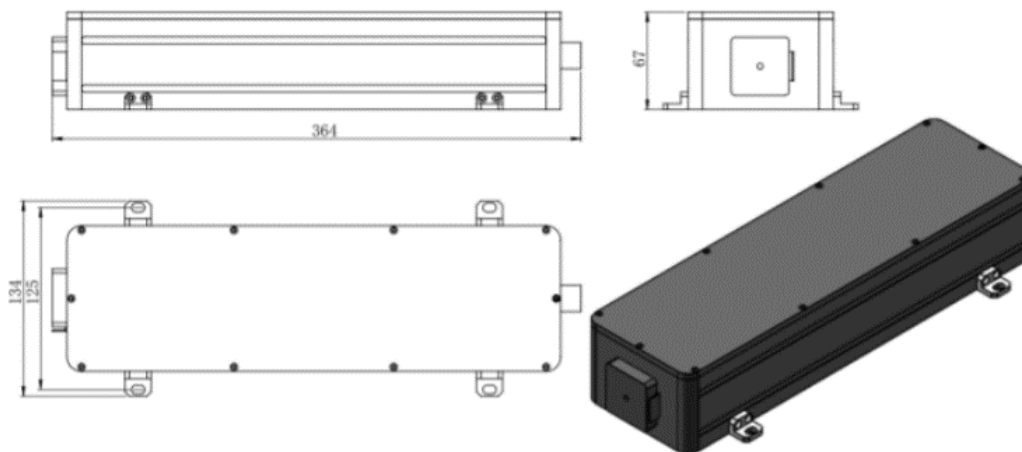
**FLPM-1064-N-XZ**



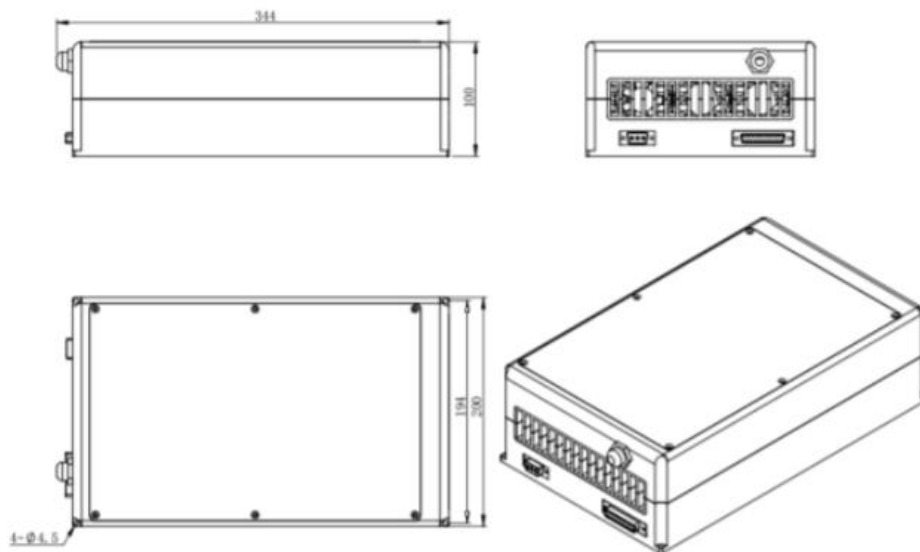


MECHANICAL OUTLINE (unit: mm)

Forth Harmonic



FLPM-1064-N-XZ



Front Panel



Back Panel



Note: The above specifications are subject to change without notice.