



Model No. FLPM-266-K-XZ
266nm UV FIBER PULSED LASER SYSTEM UP TO ~50mW

The FLPM-series 266nm picosecond all fiber pulsed laser is constructed with features of high output power stability, good beam profile, ultra-compact design, long lifetime, cost-effectiveness and easy operation. It is commonly used in scientific research, laser processing and many other applications.

SPECIFICATIONS

Model No.	FLPM-266-K-XZ
Wavelength (nm)	266±1
Operating mode	Pulsed
Output power (mW)	~10@1MHz (X=10), ~50@1MHz (X=50)
Pulse width (ps)	One fixed value between 50-900ps
Power stability (rms, over 4 hours)	<5% (Z=A), <3% (Z=E)
Repetition frequency (MHz)	One fixed value between 0.1-20MHz
M² factor	<1.8
Polarization ratio	>15dB
Warm-up time (minutes)	<15
Beam height from base plate (mm)	30
Operating temperature (°C)	15-35
Forth Harmonic	364(L) x125(W) x67(H) mm ³ ; 1.1 kg
Power supply	Input voltage 12V DC
	Dimensions/Weight 344(L) x200(W) x100(H) mm ³ ; 6.5 kg
Expected lifetime (hours)	10,000
Warranty	10 months

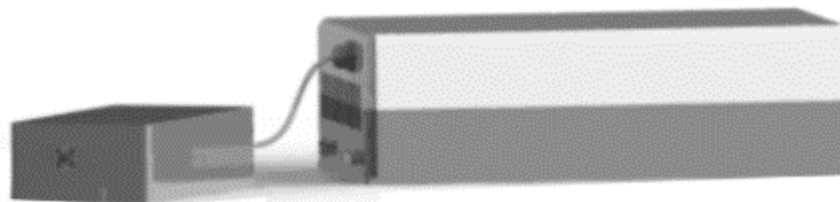
Note: The above specifications are subject to change without notice.

FLPM-266-K-XZ



Forth Harmonic

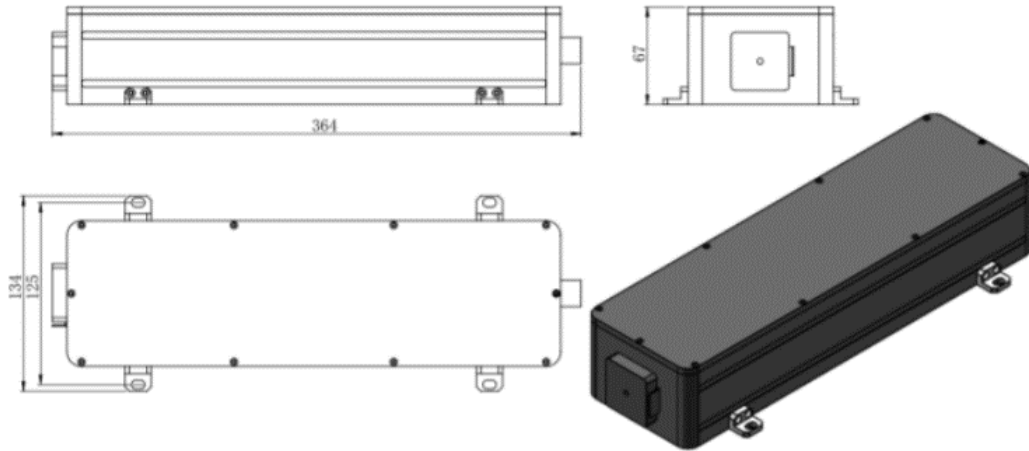
FLPM-1064-K-XZ



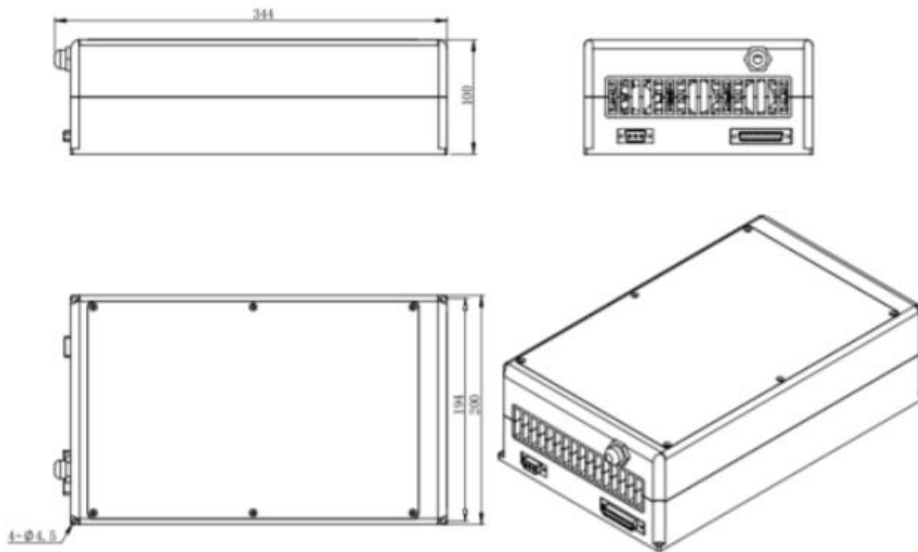


MECHANICAL OUTLINE (unit: mm)

Forth Harmonic



FLPM-1064-K-XZ



Front Panel



Back Panel



Note: The above specifications are subject to change without notice.