



Model No. FLPM-1550-N1-XZ

1550nm HIGH FREQUENCY INFRARED FIBER PULSED LASER UP TO ~1000mW

The FLPM-series 1550nm high frequency all fiber pulsed laser is constructed with features of ultra-compact design, long lifetime, low cost and easy operation. It is commonly used in laser radar, laser ranging, telemetry, 3D scanning, medical cosmetology, holography, spectrum analysis, scientific experiment, optical instrument, interference, security and many other applications.

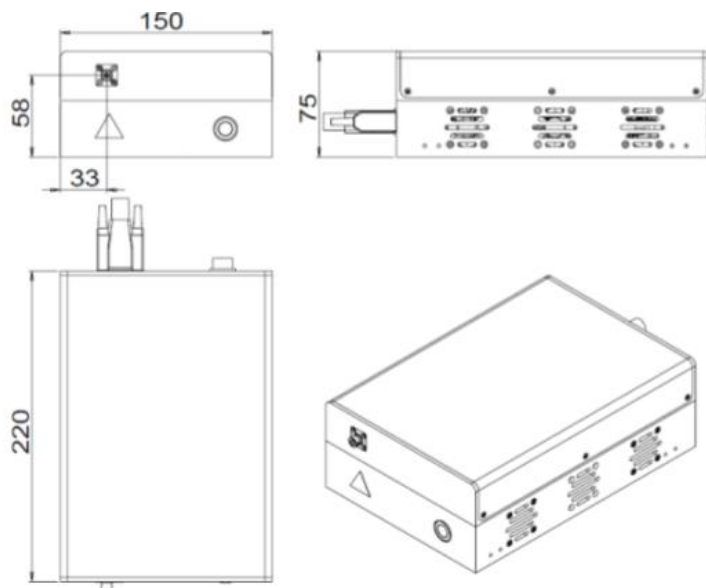
SPECIFICATIONS

Model No.	FLPM-1550-N1-XZ
Wavelength (nm)	1550±1
Operating mode	Pulsed
Output power (mW)	~500@1MHz (X=500), ~1000@1MHz (X=1W)
Pulse width (ns)	One fixed value between 0.5-5ns
Power stability (rms, over 4 hours)	<3% (Z=E), <2% (Z=2)
Repetition frequency (KHz)	50-1000
Transverse mode	TEM00
M² factor	<1.5
Polarization state	Random / >15dB
Warm-up time (minutes)	<15
Operating temperature (°C)	15-35
Laser	220(L) x150(W) x75(H) mm ³ ; 2.5 kg
Power supply	12V DC
Expected lifetime (hours)	10,000
Warranty	10 months

Note: The above specifications are subject to change without notice.

MECHANICAL OUTLINE (unit: mm)

FLPM-1550-N1-XZ



Note: The above specifications are subject to change without notice.

