



Model No. FLPM-1064-P-XZ
1064nm INFRARED FIBER PULSED LASER UP TO ~2000mW

The FLPM-series 1064nm picosecond all fiber pulsed laser with SESAM technique is constructed with features of high output power stability, good beam profile, ultra-compact design, long lifetime, cost-effectiveness and easy operation. It is commonly used in laser radar, precision marking, precision drilling, life science, precision etching, microelectronics, scientific research and many other applications.

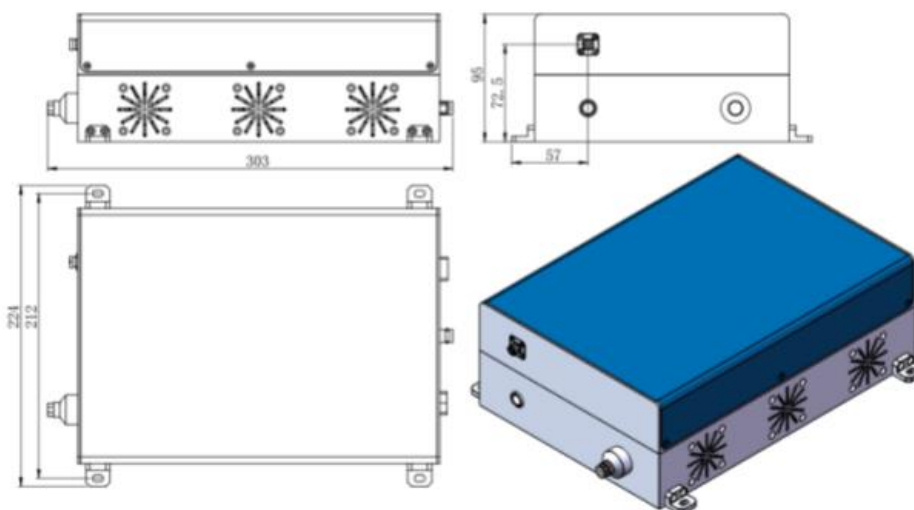
SPECIFICATIONS

Model No.	FLPM-1064-P-XZ
Wavelength (nm)	1064±1
Operating mode	Passive mode-locked
Output power (mW)	~100 (X=100), ~1000 (X=1W), ~2000 (X=2W)
Pulse width (ps)	<10
Power stability (rms, over 4 hours)	<3% (Z=E), <1% (Z=D)
Repetition frequency (MHz)	One fixed value between 20-80 MHz ±1 MHz
M² factor	<1.2 for X=100 ; <1.5 for X=1W,2W
Polarization ratio	Random / >15dB
Warm-up time (minutes)	<15
Operating temperature (°C)	15-35
Power supply	Input voltage 5V DC
	Dimensions/Weight 303(L) x212(W) x95(H) mm ³ ; 2.5 kg
Expected lifetime (hours)	10,000
Warranty	10 months

Note: The above specifications are subject to change without notice.

MECHANICAL OUTLINE (unit: mm)

FLPM-1064-P-XZ



Note: The above specifications are subject to change without notice.