



Model No. FLPM-1064-N2-XZ

1064nm HIGH FREQUENCY INFRARED FIBER PULSED LASER UP TO ~5W

The FLPM-series 1064nm high frequency all fiber pulsed laser is constructed with features of high output power stability, good beam profile, ultra-compact design, long lifetime, low cost and easy operation. It is commonly used in laser radar, life science, material processing, microelectronics, scientific research and many other applications.

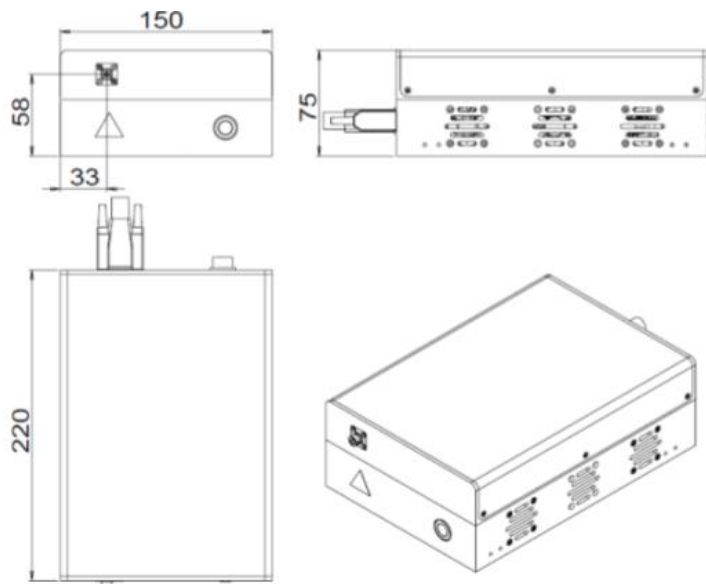
SPECIFICATIONS

Model No.	FLPM-1064-N2-XZ
Wavelength (nm)	1064±1
Operating mode	Pulsed
Output power (W)	~1 (X=1W), ~3 (X=3W), ~5 (X=5W)
Pulse width (ns)	One fixed value between 5-50ns
Power stability (rms, over 4 hours)	<3% (Z=E), <2% (Z=2)
Repetition frequency (KHz)	100-1000
M <sup>2</sup> factor	<1.8
Polarization ratio	Random / >15dB
Warm-up time (minutes)	<15
Operating temperature (°C)	15-35
Laser	220(L) x150(W) x75(H) mm <sup>3</sup> ; 2.5 kg
Power supply	12V DC
Expected lifetime (hours)	10,000
Warranty	10 months

Note: The above specifications are subject to change without notice.

MECHANICAL OUTLINE (unit: mm)

FLPM-1064-N2-XZ



Note: The above specifications are subject to change without notice.