



**Model No. FLCS-1550-XZ**

**1550nm SINGLE FREQUENCY MODE INFRARED FIBER LASER UP TO ~1W**

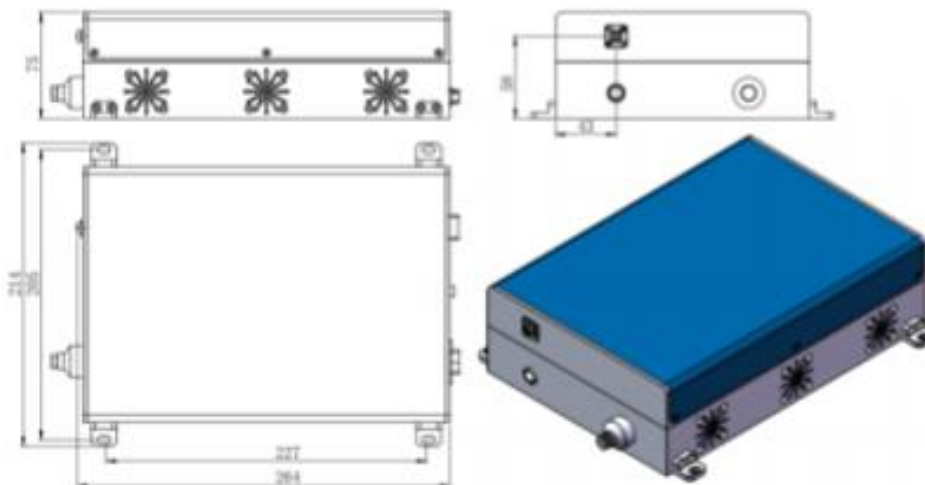
The FLCS-series 1550nm all polarization fiber single frequency mode high power laser consists of the seed laser and an amplifier optimized for low noise operation and application demanding more optical power. It is designed for operation in acoustic and seismic sensing, medical cosmetology, LIDAR, metrology, wind sensing, security, experimental research and many other applications.

**SPECIFICATIONS**

<b>Model No.</b>	<b>FLCS-1550-XZ</b>	
<b>Wavelength (nm)</b>	1550±1	
<b>Operating mode</b>	CW	
<b>Output power (mW)</b>	~300 (X=300), ~500 (X=500), ~800 (X=800), ~1000 (X=1W)	
<b>Power stability (rms, over 4 hours)</b>	<3% (Z=E), <2% (Z=2), <1% (P=D)	
<b>Transverse mode</b>	TEM00	
<b>Longitudinal mode</b>	Single	
<b>Spectral linewidth (KHz)</b>	<2000	
<b>Beam delivery optics</b>	FC/APC	
<b>M<sup>2</sup> factor</b>	<1.2	
<b>Beam height from base plate (mm)</b>	58	
<b>Polarization ratio</b>	>15dB	
<b>Warm-up time (minutes)</b>	<15	
<b>Operating temperature (°C)</b>	15-35	
<b>Laser</b>	Dimensions	264(L) x214(W) x75(H) mm <sup>3</sup>
	Weight	3.0 kg
<b>Power supply</b>	12V DC	
<b>Expected lifetime (hours)</b>	10,000	
<b>Warranty</b>	10 months	

**Note: The above specifications are subject to change without notice.**

**MECHANICAL OUTLINE (unit: mm)**



**Note: The above specifications are subject to change without notice.**

