



LASERMATE GROUP, INC.

The Friend of Lasers

Model No. FLAM-1550-N2-XZ

1550nm INFRARED ALL FIBER PULSED LASER SYSTEM UP TO >20 μ

The FLAM-series 1550nm all fiber pulsed laser is constructed with features of ultra-compact design, long lifetime, low cost and easy operation. It is commonly used in laser radar, laser ranging, telemetry, medical cosmetology, holography, spectrum analysis, scientific experiment, optical instrument, interference, security and many other applications.

SPECIFICATIONS

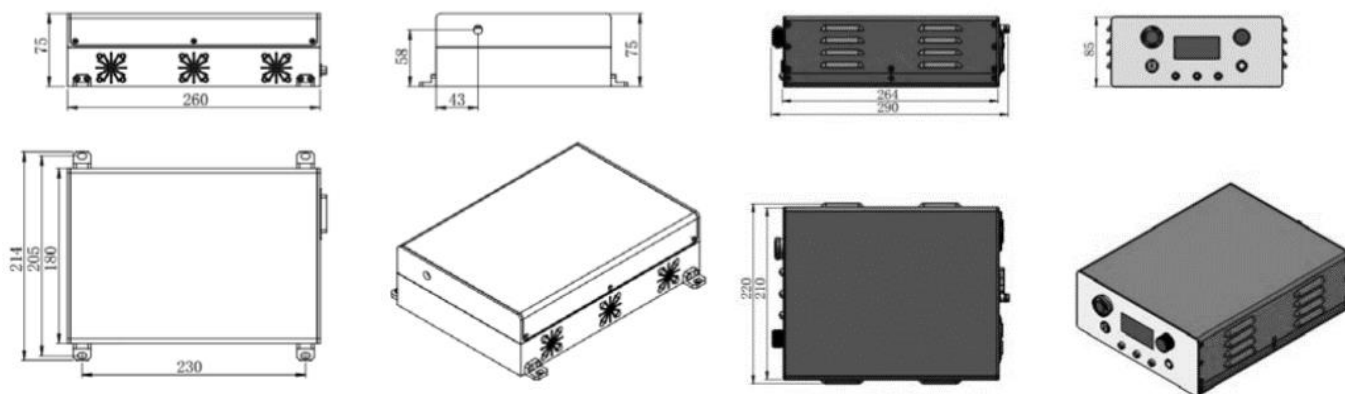
Model No.	FLAM-1550-N2-XZ
Wavelength (nm)	1550 \pm 1
Operating mode	Pulsed
Single pulse energy (μJ)	>1 (X=1), >5 (X=5), >10 (X=10), >20 (X=20)
Pulse width (ns)	5-50ns
Energy stability (rms, over 4 hours)	<3% (Z=E), <2% (Z=2)
Repetition frequency (Hz)	1-200
Transverse mode	TEM00
M² factor	<1.1
Polarization state	Random / >15dB
Warm-up time (minutes)	<15
Operating temperature ($^{\circ}$C)	15-35
Laser Dimensions/Weight	260(L) x180(W) x75(H) mm ³ ; 3.0 kg
Power supply	220V AC 290(L) x220(W) x85(H) mm ³ ; 3.0 kg
Expected lifetime (hours)	10,000
Warranty	10 months

Note: The above specifications are subject to change without notice.

MECHANICAL OUTLINE (unit: mm)

Laser Head

Power Supply



Note: The above specifications are subject to change without notice.



19608 Camino De Rosa, Walnut, CA 91789, USA | Tel: (909)718-0999 | Fax: (909)718-0998 |

E-mail: info@lasermate.com | URL: <http://www.lasermate.com>