



**LASERMATE GROUP, INC.**

**The Friend of Lasers**

**Model No. FLAM-1064-N2-XZ**

**1064nm INFRARED ALL FIBER PULSED LASER SYSTEM UP TO >20 $\mu$**

The FLAM-series 1064nm all fiber pulsed laser is constructed with features of high output power stability, good beam profile, ultra-compact design, long lifetime, low cost and easy operation. It is commonly used in laser radar, life science, material processing, military defense, microelectronics, scientific research and many other applications.

### SPECIFICATIONS

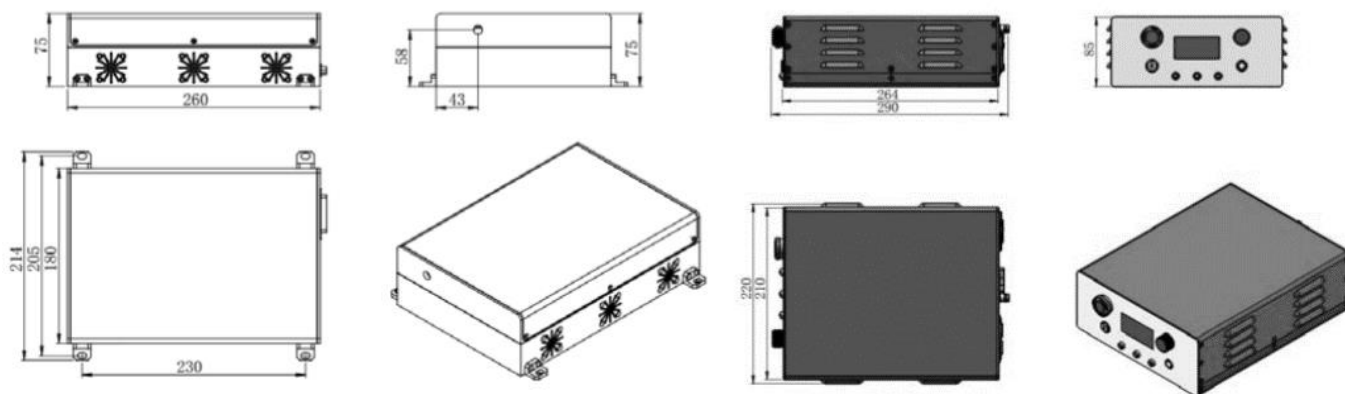
<b>Model No.</b>	<b>FLAM-1064-N2-XZ</b>
<b>Wavelength (nm)</b>	1064 $\pm$ 1
<b>Operating mode</b>	Pulsed
<b>Single pulse energy (<math>\mu</math>)</b>	>1 (X=1), >5 (X=5), >10 (X=10), >20 (X=20)
<b>Pulse width (ns)</b>	5-50ns
<b>Energy stability (rms, over 4 hours)</b>	<3% (Z=E), <2% (Z=2)
<b>Repetition frequency (Hz)</b>	1-1000
<b>Transverse mode</b>	TEM00
<b>M<sup>2</sup> factor</b>	<1.1
<b>Polarization state</b>	Random / >15dB
<b>Warm-up time (minutes)</b>	<15
<b>Operating temperature (<math>^{\circ}</math>C)</b>	15-35
<b>Laser Dimensions/Weight</b>	260(L) x180(W) x75(H) mm <sup>3</sup> ; 3.0 kg
<b>Power supply</b>	220V AC 290(L) x220(W) x85(H) mm <sup>3</sup> ; 3.0 kg
<b>Expected lifetime (hours)</b>	10,000
<b>Warranty</b>	10 months

**Note: The above specifications are subject to change without notice.**

### MECHANICAL OUTLINE (unit: mm)

**Laser Head**

**Power Supply**



**Note: The above specifications are subject to change without notice.**



19608 Camino De Rosa, Walnut, CA 91789, USA | Tel: (909)718-0999 | Fax: (909)718-0998 |

E-mail: [info@lasermate.com](mailto:info@lasermate.com) | URL: <http://www.lasermate.com>