



Model No. FLAM-1064-N1-XZ
1064nm INFRARED ALL FIBER PULSED LASER SYSTEM UP TO >2μJ

The FLAM-series 1064nm all fiber pulsed laser is constructed with features of high output power stability, good beam profile, ultra-compact design, long lifetime, low cost and easy operation. It is commonly used in laser radar, life science, material processing, military defense, microelectronics, scientific research and many other applications.

SPECIFICATIONS

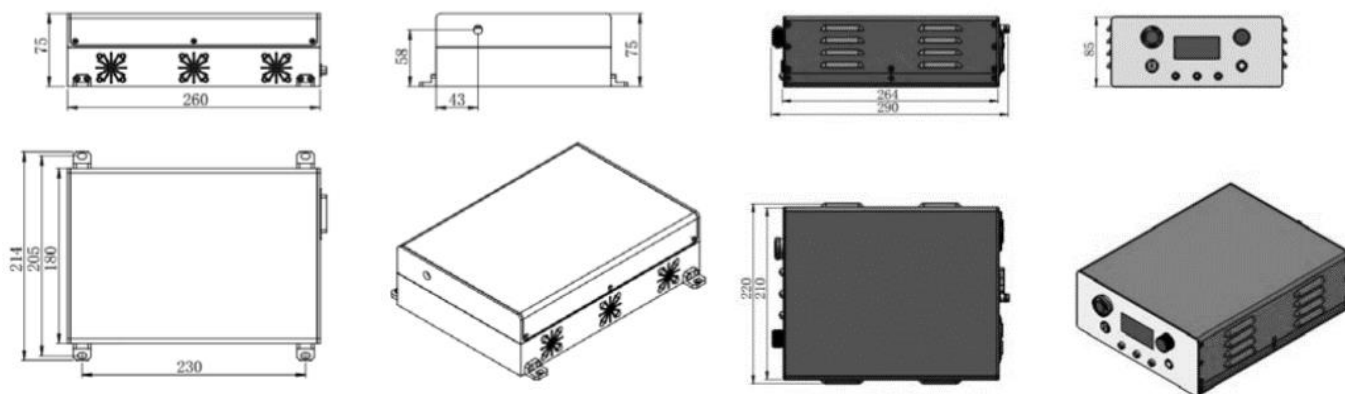
Model No.	FLAM-1064-N1-XZ
Wavelength (nm)	1064±1
Operating mode	Pulsed
Single pulse energy (μJ)	>1 (X=1), >2 (X=2)
Pulse width (ns)	0.5-5ns
Energy stability (rms, over 4 hours)	<3% (Z=E), <2% (Z=2)
Repetition frequency (Hz)	1-1000
Transverse mode	TEM00
M² factor	<1.1
Polarization state	Random / >15dB
Warm-up time (minutes)	<15
Operating temperature (°C)	15-35
Laser Dimensions/Weight	260(L) x180(W) x75(H) mm ³ ; 3.0 kg
Power supply	220V AC 290(L) x220(W) x85(H) mm ³ ; 3.0 kg
Expected lifetime (hours)	10,000
Warranty	10 months

Note: The above specifications are subject to change without notice.

MECHANICAL OUTLINE (unit: mm)

Laser Head

Power Supply



Note: The above specifications are subject to change without notice.

