

Model No. FCL-810-P-XWD-YZ

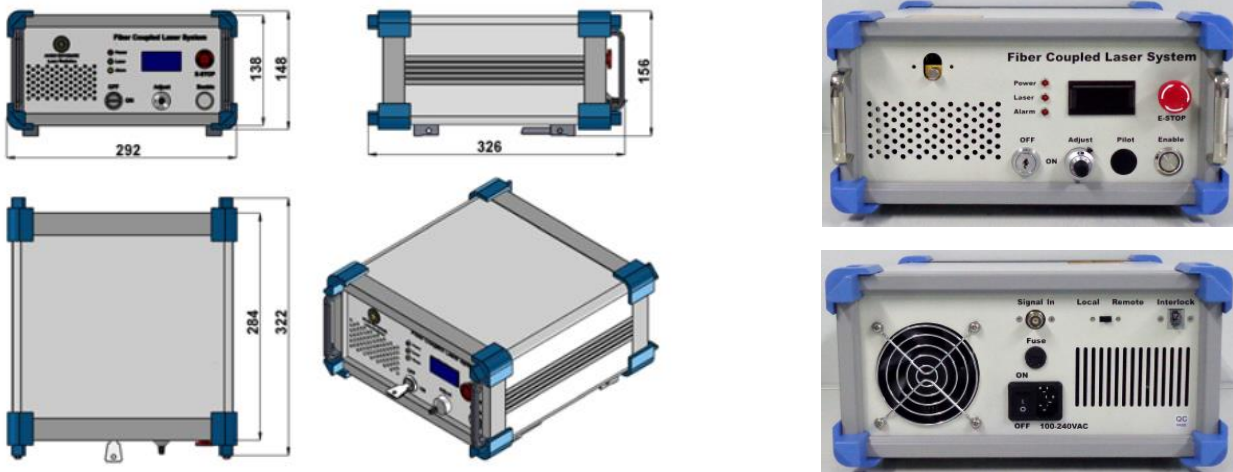
810nm HIGH POWER FIBER COUPLED INFRARED DIODE LASER SYSTEM UP TO ~40W

The FCL-series 810 nm high power fiber coupling infrared diode laser system has integrated laser diode, fiber coupling optics, laser power supply, LD current and temperature control in one box. Its compact dimension and convenient functions, including but not limited to the power adjustment, temperature control and LED display make it very suitable for pumping, scientific research, industrial and medical applications.

SPECIFICATIONS

Model No.	FCL-810-P-XWD-YZ	
Wavelength (nm)	810±10	
Output power	~20W (X=20), ~30W (X=30), ~40W (X=40)	
Fiber connector	SMA905	
Fiber length (m)	2.0	
Fiber core diameter (µm)	400	
Fiber Numerical aperture	0.22	
Output power control	0-100%, adjustable by knob	
Power stability (rms, over 4 hours)	<1%	
Operating mode	CW operating mode (Y=C); CW with external TTL modulation: 1Hz-1kHz (Y=T1), 1kHz-10kHz (Y=T2), 10kHz-30kHz (Y=T3); CW with external Analog modulation: 1Hz-1kHz (Y=A1), 1kHz-10kHz (Y=A2), 10kHz-30kHz (Y=A3).	
LED display	Laser diode current	
Red pilot light	No (Z=0); Yes (Z=1)	
Operating temperature (°C)	10~40	
Cooling way	Cooled by air, no water needed	
Power supply	Input voltage	90-240V AC, 50 to 60 Hz
	Dimensions	292(L) x326(W) x156(H) mm ³
Expected lifetime (hours)	10,000	
Warranty	10 months	
Remarks	The FCL-series can be customized to a higher power upon request.	

PACKAGE DIMENSIONS (unit: mm)



Note: The above specifications are subject to change without notice.



OPTIONAL ACCESSORIES

FIBER COLLIMATOR

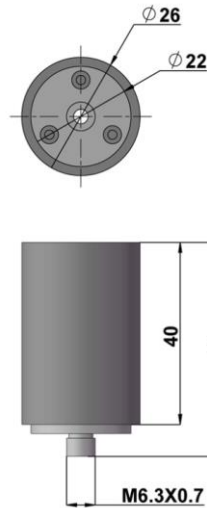
- COLLIMATOR WITH SPHERICAL LENS**

The collimator with spherical lens is designed to connect to the end of the FC/PC or SMA905 connector and contains an AR-coated spherical lens. The distance between the spherical lens and the tip of the FC-terminated fiber can be adjusted to compensate for focal length changes, or to re-collimate the beam at the specific wavelength and distance of interest.

Model No. FC-SL-FC (for FC/PC connector)

Model No. FC-SL-SMA (for SMA905 connector)

Dimensions: $\phi 26\text{mm} \times 40\text{mm}$



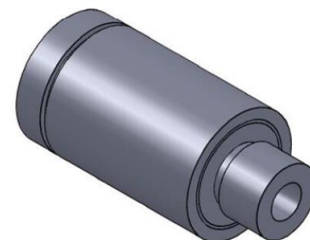
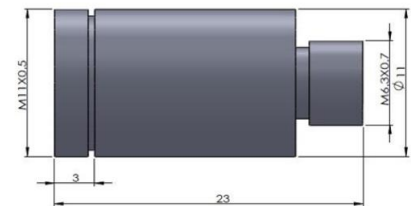
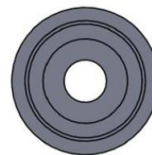
- COLLIMATOR WITH ASPHERICAL LENS**

The collimator with aspherical lens is designed to connect to the end of the FC/PC or SMA905 connector and contains an AR-coated spherical lens. It is constructed with ultra-compact size and excellent performance, which is used to collimate the beam out of the fiber.

Model No. FC-AL-FC (for FC/PC connector)

Model No. FC-AL-SMA (for SMA905 connector)

Dimensions: $\phi 11\text{mm} \times 23\text{mm}$



Note: The above specifications are subject to change without notice.