



Model No. FCL-639-P-XW-Y

639nm FIBER COUPLED HIGH POWER RED DIODE LASER SYSTEM UP TO ~7W

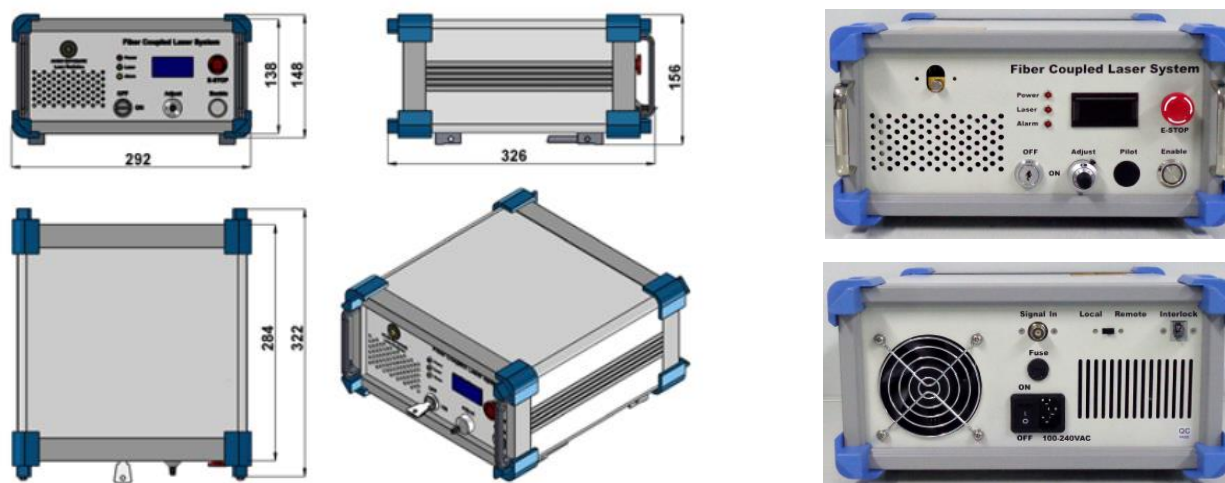
The FCL-series 639 nm high power fiber coupling red diode laser system has integrated laser diode, fiber coupling optics, laser power supply, LD current and temperature control in one box. Its compact dimension and convenient functions, including but not limited to the power adjustment, temperature control and LED display make it very suitable for pumping, scientific research, industrial and medical applications.

SPECIFICATIONS

Model No.	FCL-639-P-XW-Y
Wavelength (nm)	639±4
Output power	~3W (X=3), ~5W (X=5), ~7W (X=7)
Fiber connector	SMA905
Fiber length (m)	2.0
Fiber core diameter (µm)	400
Fiber Numerical aperture	0.22
Output power control	0-100%, adjustable by knob
Power stability (rms, over 4 hours)	<5%
Operating mode	For CW operating mode, Y=C. For CW with 1Hz-1kHz external TTL modulation, Y=T. For CW with 1Hz-1kHz external Analog modulation, Y=A.
Temperature control range	15~30°C adjustable by knob
Operating temperature (°C)	10~40
Cooling way	Cooled by air, no water needed
Power supply	Input voltage 90-240V AC, 50 to 60 Hz
	Dimensions 292(L) x322(W) x156(H) mm <sup>3</sup>
Warranty	10 months

Note: The above specifications are subject to change without notice.

PACKAGE DIMENSIONS (unit: mm)





## OPTIONAL ACCESSORIES

### FIBER COLLIMATOR

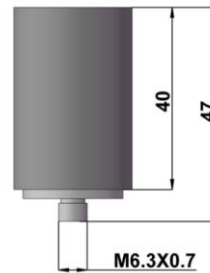
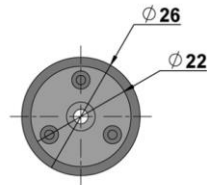
- **COLLIMATOR WITH SPHERICAL LENS**

The collimator with spherical lens is designed to connect to the end of the FC/PC or SMA905 connector and contains an AR-coated spherical lens. The distance between the spherical lens and the tip of the FC-terminated fiber can be adjusted to compensate for focal length changes, or to re-collimate the beam at the specific wavelength and distance of interest.

**Model No. FC-SL-FC (for FC/PC connector)**

**Model No. FC-SL-SMA (for SMA905 connector)**

**Dimensions:**  $\phi 26\text{mm} \times 40\text{mm}$



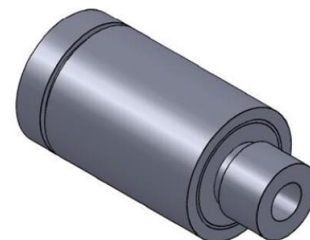
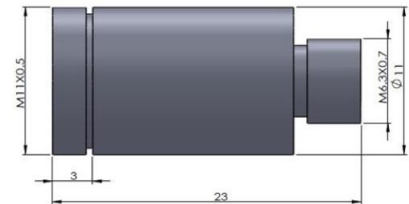
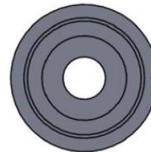
- **COLLIMATOR WITH ASPHERICAL LENS**

The collimator with aspherical lens is designed to connect to the end of the FC/PC or SMA905 connector and contains an AR-coated spherical lens. It is constructed with ultra-compact size and excellent performance, which is used to collimate the beam out of the fiber.

**Model No. FC-AL-FC (for FC/PC connector)**

**Model No. FC-AL-SMA (for SMA905 connector)**

**Dimensions:**  $\phi 11\text{mm} \times 23\text{mm}$



**Note:** The above specifications are subject to change without notice.