

**Model No. DPW-561-XFYP2Q
561nm DPSS LASER UP TO >2W**

The DPW-series 561nm LD pumped all-solid-state laser is constructed with features of high stability, FDA compliance, ultra-compactness, long lifetime and easy operating. It is widely used in collimation, laser medical treatment, scientific experiment, optical instrument, laser display, laser lighting show and many other applications.

SPECIFICATIONS

Model No.	DPW-561-XFYP2Q
Wavelength (nm)	561±1
Output power (mW)	>1500 (X=1500), >2000 (X=2W)
Transverse mode	Near TEM ₀₀
Operating mode	CW
Power stability (rms, over 4 hours)	<5% (P=A), <3% (P=E)
Dimensions of beam at aperture (1/e², mm)	~4.0
Beam divergence, full angle (mrad)	<2.0
M² factor	3.0-4.0
Polarization ratio	>100:1
Warm-up time (minutes)	<10
Beam height from base plate (mm)	93.5
Operating temperature (°C)	10~35
Laser head	346(L) x 140(W) x 125(H) mm ³ , 5.7 kg
Power supply (90-240VAC)	High Power W Version Elite Power Supply (Y=W): 307(L) x168(W) x123(H) mm ³ , 4.5 kg; complete FDA compliant features (turnkey switch and interlock); easy to operate; CW mode with optional TTL or Analog modulation up to 10kHz High Power W Version Laboratory Power Supply (Y=N): 336(L) x168(W) x133(H) mm ³ , 4.6 kg; complete FDA compliant features (turnkey switch and interlock) with more functions; CW mode with adjustable output power knob, operating current LED display, and optional TTL or Analog modulation up to 10kHz
Optional Modulation	None (Q=0) TTL: 1Hz -1kHz (Q=1), 1kHz -10kHz (Q=2) Analog: 1Hz -1kHz (Q=3), 1kHz -10kHz (Q=4)
Expected lifetime (hours)	10,000
Warranty	10 months
Remarks	The stability of output power is promised at the maximum output power only. The stability of output power may change when you adjust the output power.

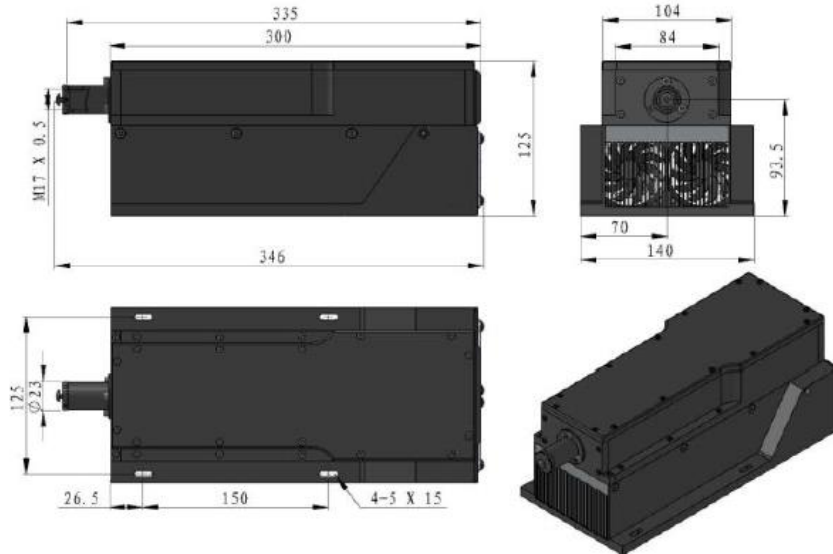
Note: The above specifications are subject to change without notice.





MECHANICAL OUTLINE (unit: mm)

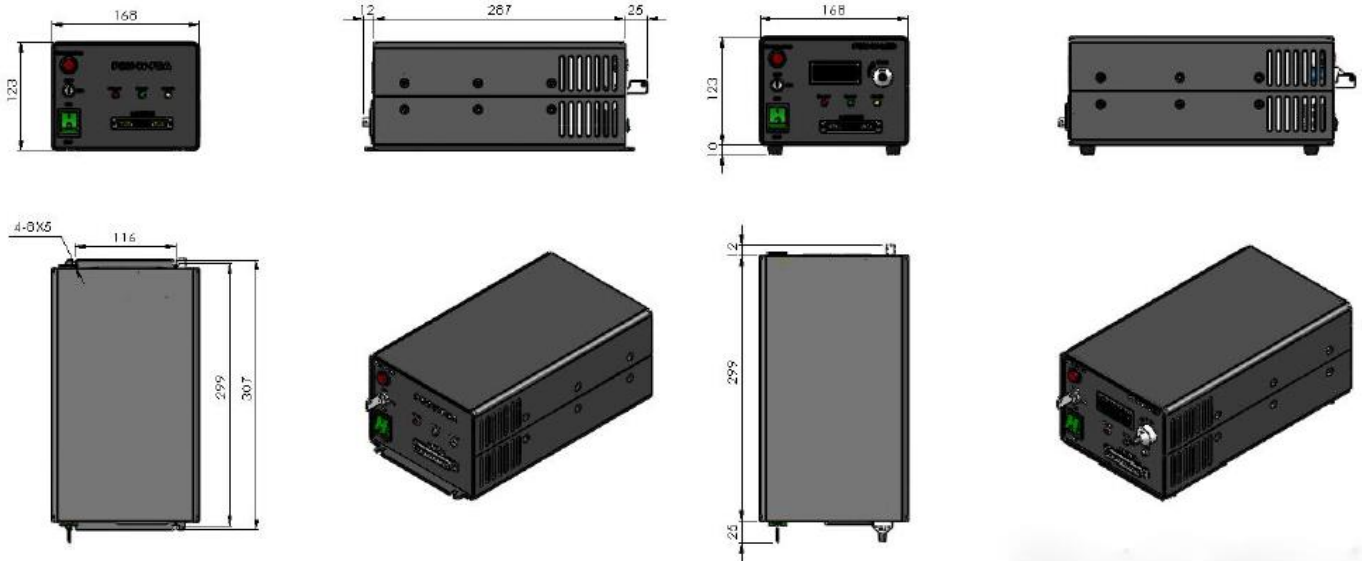
Laser Head



Power Supply

High Power W Version Elite Power Supply (Y=W)

High Power W Version Laboratory Power Supply (Y=N)



Note: The above specifications are subject to change without notice.

