



Model No. DPW-473-XFYP2Q
473nm DPSS LASER UP TO >2W

The DPW-series 473nm LD pumped all-solid-state laser is constructed with features of high stability, FDA compliance, ultra-compactness, long lifetime and easy operating. It is widely used in fluorescence sensors, Raman spectrum, laser printing, holography, laser display, submarine communication, biomedicine, laser lighting show, and many other applications.

Table with 2 columns: Parameter and Specification. Includes rows for Model No., Wavelength, Output power, Transverse mode, Operating mode, Power stability, Dimensions of beam at aperture, Beam divergence, M² factor, Polarization ratio, Warm-up time, Beam height, Operating temperature, Laser head, Power supply, Optional Modulation, Expected lifetime, Warranty, and Remarks.

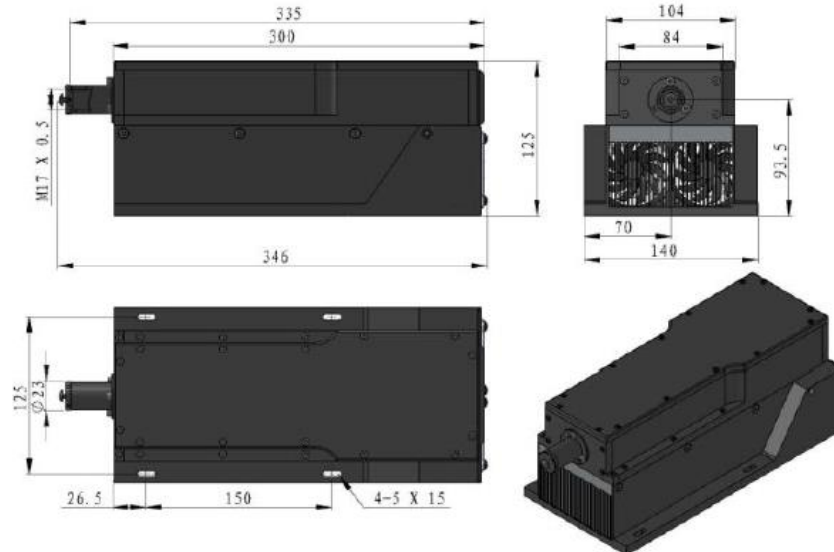
Note: The above specifications are subject to change without notice.





MECHANICAL OUTLINE (unit: mm)

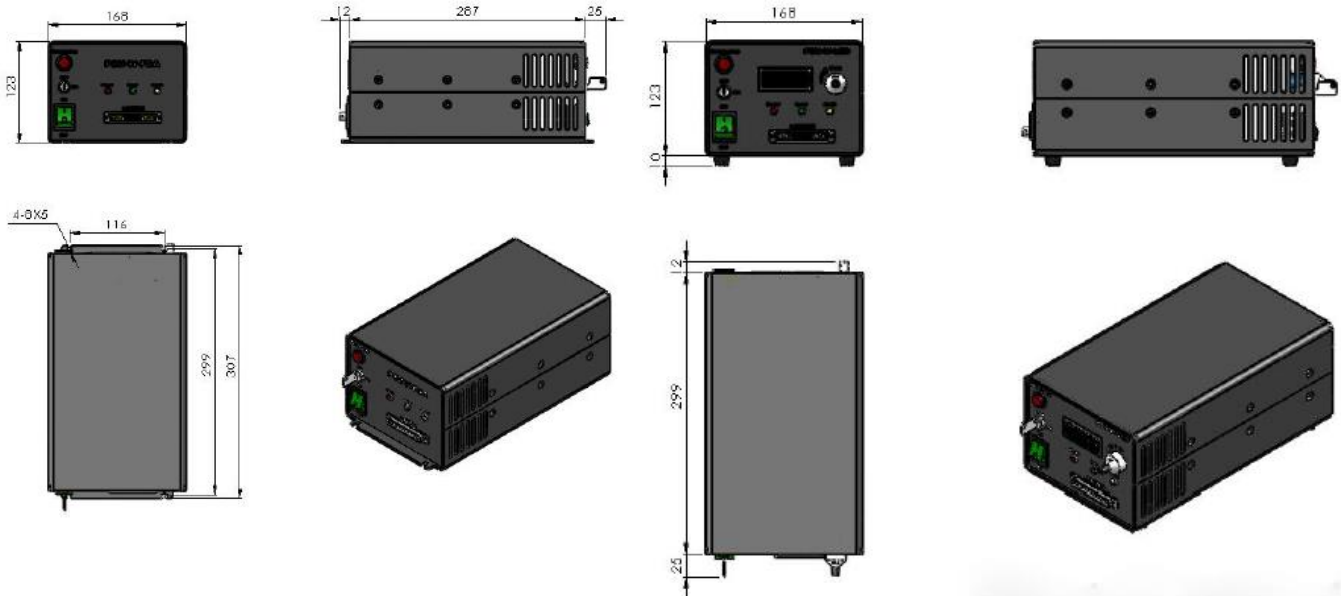
Laser Head



Power Supply

High Power W Version Elite Power Supply (Y=W)

High Power W Version Laboratory Power Supply (Y=N)



Note: The above specifications are subject to change without notice.

