

**Model No. DPW-457-XFYPZQ  
457nm DPSS LASER UP TO >10W**

The DPW-series 457nm LD pumped all-solid-state laser is constructed with features of high stability, low noise option, FDA compliance, ultra-compactness, long lifetime, low cost and easy operating. It is widely used in fluorescence sensors, Raman spectrum, laser printing, holography, laser display, submarine communication, biomedicine, laser lighting show, and many other applications.

<b>Model No.</b>	<b>DPW-457-XFYPZQ</b>
<b>Wavelength (nm)</b>	457±1
<b>Output power (mW)</b>	>3000 ( <b>X=3W</b> ), >4000 ( <b>X=4W</b> ), >5000 ( <b>X=5W</b> ), >8000 ( <b>X=8W</b> ), >10000 ( <b>X=10W</b> )
<b>Transverse mode</b>	Near TEM <sub>01</sub>
<b>Operating mode</b>	CW
<b>Power stability (rms, over 4 hours)</b>	<5% ( <b>P=A</b> ), <3% ( <b>P=E</b> )
<b>Noise of amplitude (rms, 1~20MHz)</b>	<3% for Low Noise ( <b>Z=1</b> ), >3% ( <b>Z=2</b> )
<b>Dimensions of beam at aperture (1/e<sup>2</sup>, mm)</b>	~4.0
<b>Beam divergence, full angle (mrad)</b>	<2.0
<b>M<sup>2</sup> factor</b>	3-6 for Low Noise <b>Z=1</b>
<b>Polarization ratio</b>	>100:1
<b>Warm-up time (minutes)</b>	<10
<b>Beam height from base plate (mm)</b>	93.5
<b>Operating temperature (°C)</b>	10~35
<b>Laser head</b>	346(L) x 140(W) x 125(H) mm <sup>3</sup> , 5.7 kg
<b>Power supply (90-240VAC)</b>	<b>High Power W Version Elite Power Supply (Y=W):</b> 307(L) x168(W) x123(H) mm <sup>3</sup> , 4.5 kg; complete FDA compliant features (turnkey switch and interlock); easy to operate; CW mode with optional TTL or Analog modulation up to 10kHz  <b>High Power W Version Laboratory Power Supply (Y=N):</b> 336(L) x168(W) x133(H) mm <sup>3</sup> , 4.6 kg; complete FDA compliant features (turnkey switch and interlock) with more functions; CW mode with adjustable output power knob, operating current LED display, and optional TTL or Analog modulation up to 10kHz
<b>Optional Modulation</b>	None ( <b>Q=0</b> ) <b>TTL:</b> 1Hz -1kHz ( <b>Q=1</b> ), 1kHz -10kHz ( <b>Q=2</b> ) <b>Analog:</b> 1Hz -1kHz ( <b>Q=3</b> ), 1kHz -10kHz ( <b>Q=4</b> )
<b>Expected lifetime (hours)</b>	10,000
<b>Warranty</b>	10 months
<b>Remarks</b>	The stability of output power is promised at the maximum output power only. The stability of output power may change when you adjust the output power.

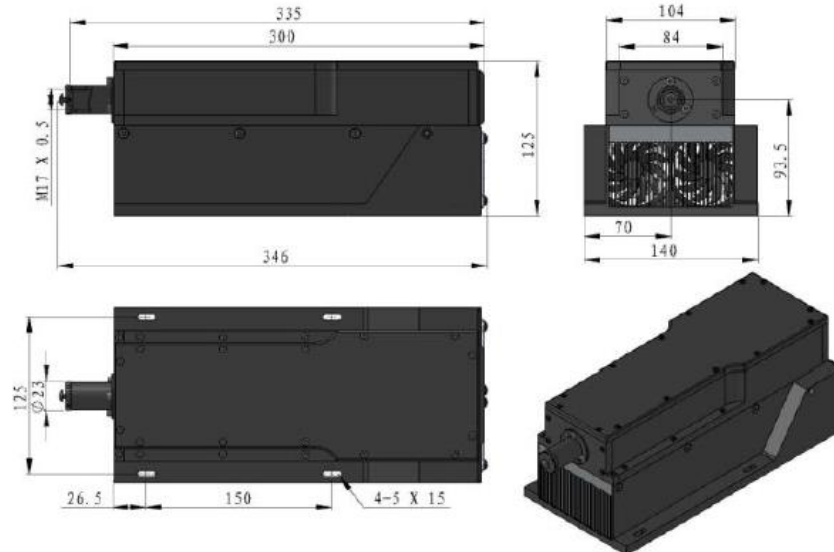
**Note: The above specifications are subject to change without notice.**





**MECHANICAL OUTLINE (unit: mm)**

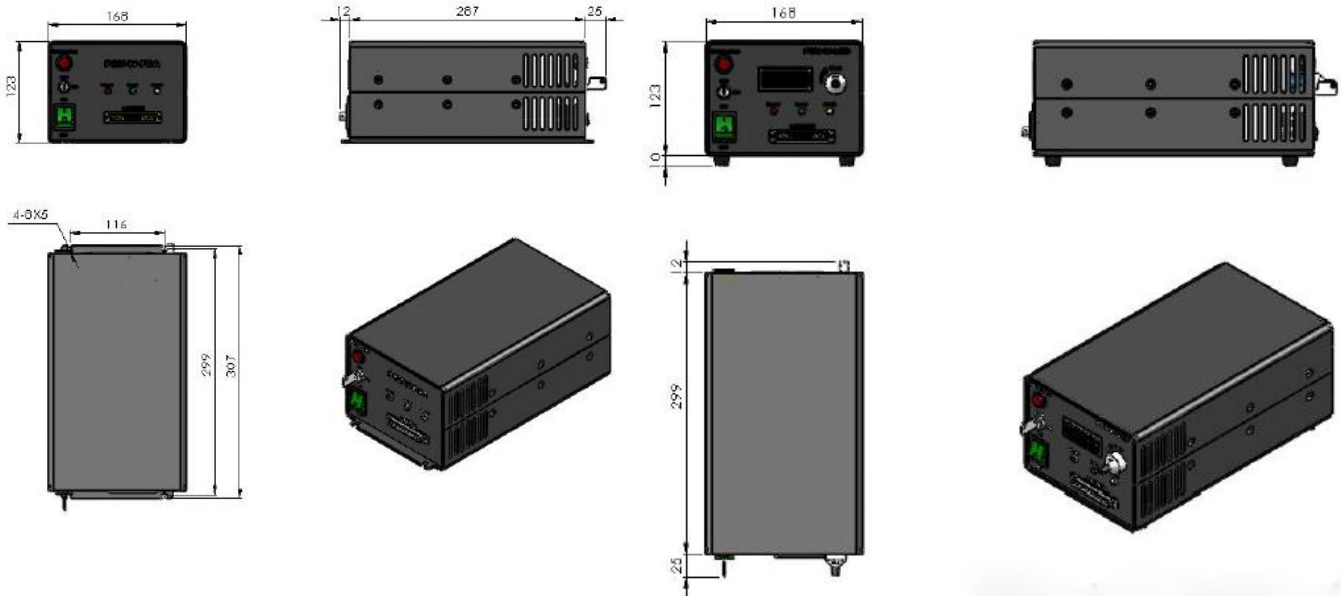
**Laser Head**



**Power Supply**

**High Power W Version Elite Power Supply (Y=W)**

**High Power W Version Laboratory Power Supply (Y=N)**



**Note: The above specifications are subject to change without notice.**

