



**Model No. DPW-2796-XFYP
2796nm DPSS LASER UP TO >300mW**

The DPW-series 2796 nm LD pumped all-solid-state laser, also called waterlaser, is constructed with features of high stability, FDA compliance, good beam quality, and easy operating. It is widely used in medical treatment, allowing procedures to be performed without a shot or drill.

SPECIFICATIONS

Model No.	DPW-2796-XFYP
Wavelength (nm)	2796±3
Output power (mW)	>100 (X=100), >200 (X=200), >300 (X=300)
Transverse mode	Near TEM ₀₀
Operating mode	CW
Power stability (rms, over 4 hours)	<5% (P=A), <3% (P=E)
Dimensions of beam at aperture (1/e², mm)	<3.0
Beam divergence, full angle (mrad)	<8.0
Warm-up time (minutes)	<10
Beam height from base plate (mm)	93.5
Operating temperature (°C)	15-30
Laser head	333(L) x 140(W) x 125(H) mm ³ , 6.1 kg
Power supply (90-240VAC)	High Power Laboratory Power Supply (Y=M): 268(L) x 145(W) x 106(H) mm ³ , 2.6 kg; complete FDA compliant features, such as the turnkey switch and interlock, and more functions; CW mode with the adjustable output power knob, and operating current LED display
Expected lifetime (hours)	10,000
Warranty	10 months
Remarks	The stability of output power is promised at the maximum output power only. The stability of output power may change when you adjust the output power.

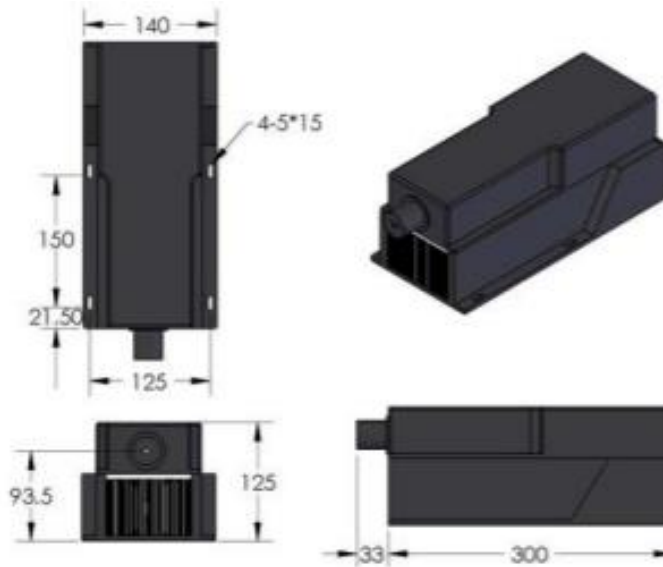
Note: The above specifications are subject to change without notice.





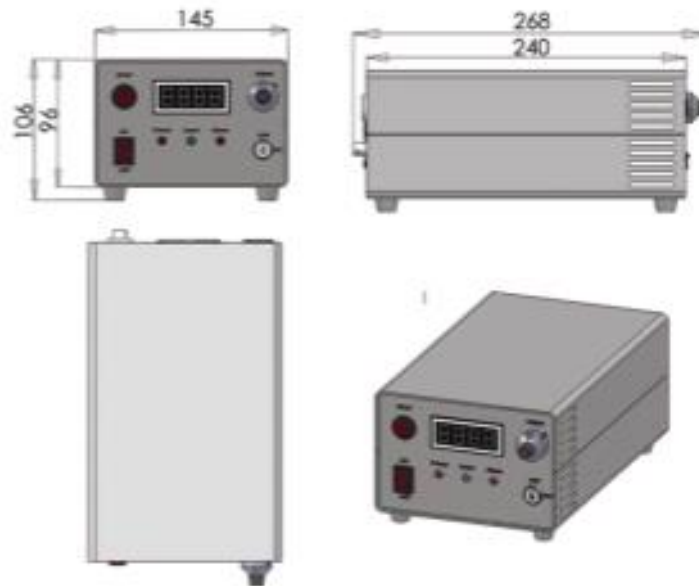
MECHANICAL OUTLINE (unit: mm)

Laser Head



Power Supply

High Power Laboratory Power Supply (Y=M)



Note: The above specifications are subject to change without notice.

