



Model No. DPW-2096-XFYP
2096nm DPSS LASER UP TO >3000mW

The DPW-series 2096 nm LD pumped all-solid-state laser is constructed with features of high stability, FDA compliance, high power, good beam quality, and easy operating. It is widely used in material processing, especially for plastics, FSO communication and security applications, and for pumping of laser sources for the mid-infrared region, medical procedures such as precise tissue ablation, ophthalmic surgery or dentistry, suppression of bleeding during operations, and many other applications.

SPECIFICATIONS

Model No.	DPW-2096-XFYP
Wavelength (nm)	2096±2
Output power (mW)	>1000 (X=1W), >2000 (X=2W), >3000 (X=3W)
Transverse mode	Near TEM ₀₀
Operating mode	CW
Power stability (rms, over 4 hours)	<5% (P=A), <3% (P=E)
Dimensions of beam at aperture (1/e², mm)	<2.0
Beam divergence, full angle (mrad)	<4.0
Polarization ratio	>100:1
Warm-up time (minutes)	<10
Beam height from base plate (mm)	93.5
Operating temperature (°C)	15-30
Laser head	346(L) x 140(W) x 125(H) mm ³ , 5.7 kg
Power supply (90-240VAC)	High Power W Version Elite Power Supply (Y=W): 307(L) x168(W) x123(H) mm ³ , 4.5 kg; complete FDA compliant features (turnkey switch and interlock); easy to operate; CW mode
Expected lifetime (hours)	10,000
Warranty	10 months
Remarks	The stability of output power is promised at the maximum output power only. The stability of output power may change when you adjust the output power.

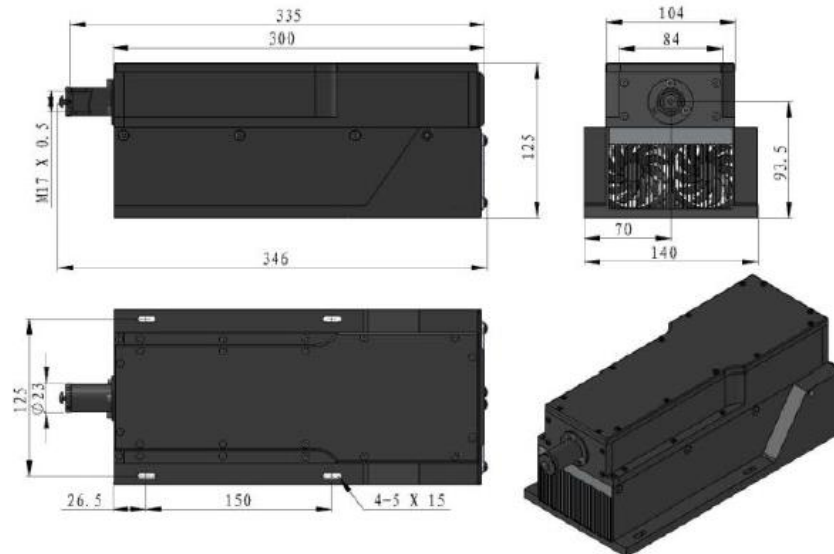
Note: The above specifications are subject to change without notice.





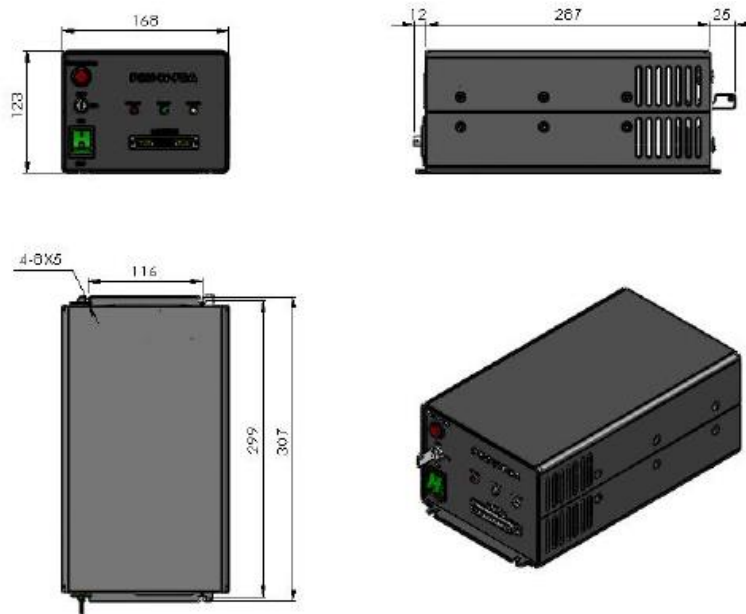
MECHANICAL OUTLINE (unit: mm)

Laser Head



Power Supply

High Power W Version Elite Power Supply (Y=W)



Note: The above specifications are subject to change without notice.



LASERMATE GROUP, INC.

The Friend of Lasers



19608 Camino De Rosa, Walnut, CA 91789, USA | Tel: (909)718-0999 | Fax: (909)718-0998 |

E-mail: info@lasermate.com | URL: <http://www.lasermate.com>