

**Model No. DPW-1910-XFYP  
1910nm DPSS LASER UP TO >13W**

The DPW-series 1910 nm LD pumped all-solid-state laser is constructed with features of high stability, FDA compliance, high power, ultra-compactness, long lifetime, low cost and easy operating. It is widely used in Ho:YAG laser pumping, medical, scientific research and many other applications.

**SPECIFICATIONS**

<b>Model No.</b>	<b>DPW-1910-XFYP</b>
<b>Wavelength (nm)</b>	1910±3
<b>Output power (mW)</b>	>1000 ( <b>X=1W</b> ), >3000 ( <b>X=3W</b> ), >5000 ( <b>X=5W</b> ), >8000 ( <b>X=8W</b> ), >10000 ( <b>X=10W</b> ), >11000 ( <b>X=11W</b> ), >13000 ( <b>X=13W</b> )
<b>Transverse mode</b>	Near TEM <sub>00</sub>
<b>Operating mode</b>	CW
<b>Power stability (rms, over 4 hours)</b>	<10% ( <b>P=B</b> ), <5% ( <b>P=A</b> ), <3% ( <b>P=E</b> )
<b>Dimensions of beam at aperture (1/e<sup>2</sup>, mm)</b>	<4.0
<b>Beam divergence, full angle (mrad)</b>	<7.0
<b>Polarization ratio</b>	>100:1
<b>Warm-up time (minutes)</b>	<10
<b>Beam height from base plate (mm)</b>	93.5
<b>Operating temperature (°C)</b>	15-30
<b>Laser head</b>	346(L) x 140(W) x 125(H) mm <sup>3</sup> , 5.7 kg
<b>Power supply (90-240VAC)</b>	<b>High Power W Version Elite Power Supply (Y=W):</b> 307(L) x168(W) x123(H) mm <sup>3</sup> , 4.5 kg; complete FDA compliant features (turnkey switch and interlock); easy to operate; CW mode
<b>Expected lifetime (hours)</b>	10,000
<b>Warranty</b>	10 months
<b>Remarks</b>	The stability of output power is promised at the maximum output power only. The stability of output power may change when you adjust the output power.

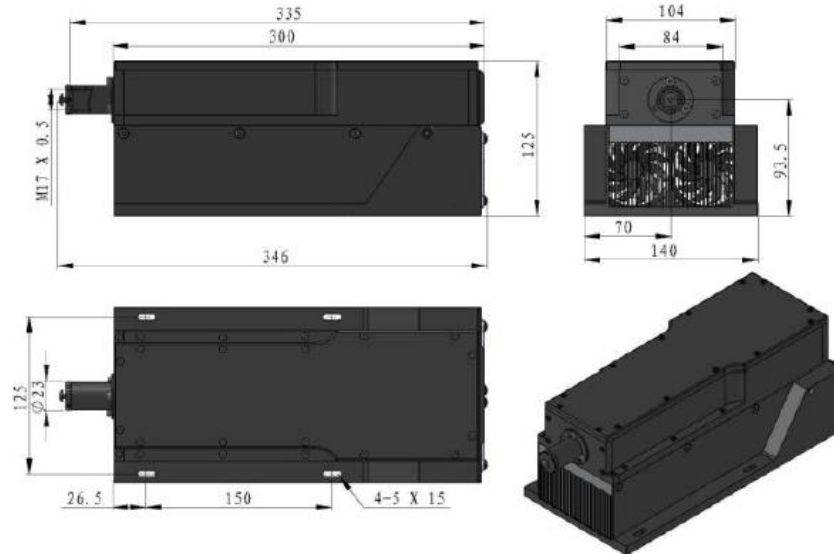
**Note: The above specifications are subject to change without notice.**





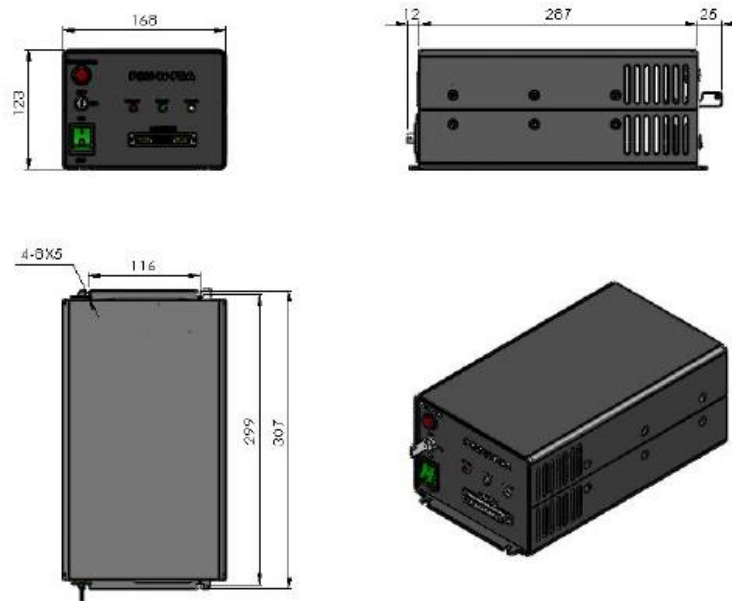
**MECHANICAL OUTLINE (unit: mm)**

**Laser Head**



**Power Supply**

**High Power W Version Elite Power Supply (Y=W)**



**Note: The above specifications are subject to change without notice.**

