



LASERMATE GROUP, INC.

The Friend of Lasers

Model No. DPS-671-XFYPQ
GOOD SEALING 671nm DPSS RED LASER UP TO >100mW

The DPS-series 671nm diode pumped all solid-state red laser is constructed with features of good sealing water resistance, ultra-compactness, small size, wide operating temperature, good beam profile TEM₀₀, FDA compliance, long lifetime, cost-effectiveness and easy operating, working under the pressure of 0.02kPa. It is widely used in measurement, spectrum analysis, laser lighting show and many other applications.

SPECIFICATIONS

Model No.	DPS-671-XFYPQ
Wavelength (nm)	671±1
Output power (mW)	>100 (X=100)
Transverse mode	TEM ₀₀
Operating mode	CW
Power stability (rms, over 4 hours)	<3% (P=E), <2% (P=2), <1% (P=D)
Dimensions of beam at aperture (1/e², mm)	0.7±0.05
Beam divergence, full angle (mrad)	<1.5
M² factor	<1.2
Polarization ratio	>100:1, Horizontal ±5 degree
Warm-up time (minutes)	<5
Pointing stability after warm-up (mrad)	<0.05
Pointing stability over temp (μrad/°C)	<8
Beam height from base plate (mm)	19
IP rating	IP67 (Protected from total dust ingress and water immersion between 15cm and 1m in depth)
Power consumption (W)	<30
Shock tolerance (6ms)	7g laterally, 15g vertically
Operating temperature (°C)	0-60
Laser head	100(L)×40(W) ×40(H) mm ³ , 0.36 kg
Max heat dissipation of head (W)	10W@50°C
Power supply (90-240VAC)	High Power Elite Power Supply (Y=H): 236(L) ×145(W) ×104(H) mm ³ , 2.3 kg; complete FDA compliant features, such as the turnkey switch and interlock, and easy to operate; CW mode with optional TTL or Analog modulation up to 10kHz
Modulation option	None (Q=0) TTL: 1Hz -1kHz (Q=1), 1kHz -10kHz (Q=2) Analog: 1Hz -1kHz (Q=3), 1kHz -10kHz (Q=4)
Expected lifetime (hours)	10,000
Warranty	10 months

Note: The above specifications are subject to change without notice.



19608 Camino De Rosa, Walnut, CA 91789, USA | Tel: (909)718-0999 | Fax: (909)718-0998 |

E-mail: info@lasermate.com | URL: <http://www.lasermate.com>

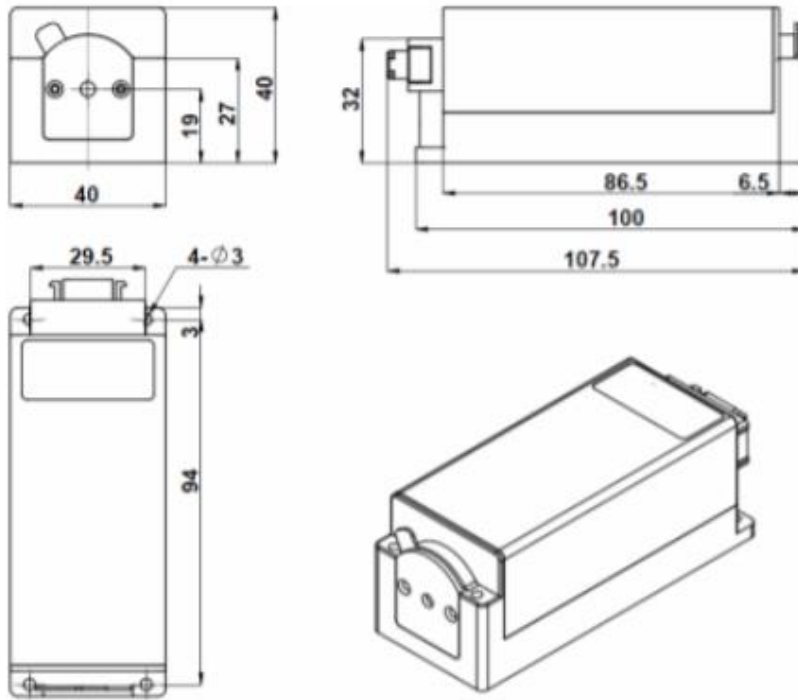


LASERMATE GROUP, INC.

The Friend of Lasers

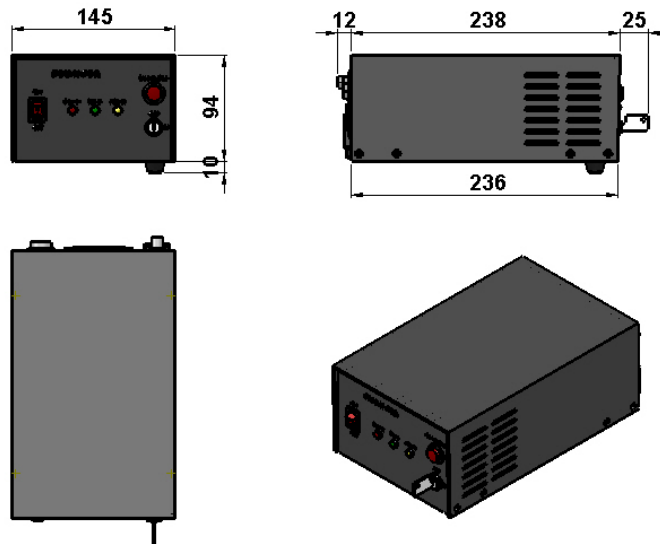
MECHANICAL OUTLINE (unit: mm)

Laser Head



Power Supply

High Power Elite Power Supply (Y=H):



Note: The above specifications are subject to change without notice.



19608 Camino De Rosa, Walnut, CA 91789, USA | Tel: (909)718-0999 | Fax: (909)718-0998 |

E-mail: info@lasermate.com | URL: <http://www.lasermate.com>