



**LASERMATE GROUP, INC.**

**The Friend of Lasers**

**Model No. DPS-589-XFYPQ**

**GOOD SEALING 589nm DPSS GREEN LASER UP TO >50mW**

The DPS-series 589nm diode pumped all solid-state green laser is constructed with features of good sealing water resistance, ultra-compactness, small size, wide operating temperature, good beam profile TEM<sub>00</sub>, FDA compliance, long lifetime, cost-effectiveness and easy operating, working under the pressure of 0.02kPa. It is widely used in scientific experiment, optical sensor, measurement, instrument, communication, spectrum analysis and many other applications.

## SPECIFICATIONS

Model No.	DPS-589-XFYPQ
Wavelength (nm)	589±1
Output power (mW)	>30 (X=30), >50 (X=50)
Transverse mode	TEM <sub>00</sub>
Operating mode	CW
Power stability (rms, over 4 hours)	<5% (P=A), <3% (P=E), <2% (P=2), <1% (P=D)
Dimensions of beam at aperture (1/e <sup>2</sup> , mm)	0.7±0.05
Beam divergence, full angle (mrad)	<1.5
M <sup>2</sup> factor	<1.5
Polarization ratio	>100:1, Horizontal ±5 degree
Warm-up time (minutes)	<5
Pointing stability after warm-up (mrad)	<0.05
Pointing stability over temp (μrad/°C)	<8
Beam height from base plate (mm)	19
IP rating	IP67 (Protected from total dust ingress and water immersion between 15cm and 1m in depth)
Power consumption (W)	<30
Shock tolerance (6ms)	7g laterally, 15g vertically
Operating temperature (°C)	0-60
Laser head	100(L)×40(W) ×40(H) mm <sup>3</sup> , 0.36 kg
Max heat dissipation of head (W)	10W@50°C
Power supply (90-240VAC)	<b>High Power Elite Power Supply (Y=H):</b> 236(L) ×145(W) ×104(H) mm <sup>3</sup> , 2.3 kg; complete FDA compliant features, such as the turnkey switch and interlock, and easy to operate; CW mode with optional TTL or Analog modulation up to 10kHz
Modulation option	None (Q=0) TTL: 1Hz -1kHz (Q=1), 1kHz -10kHz (Q=2) Analog: 1Hz -1kHz (Q=3), 1kHz -10kHz (Q=4)
Expected lifetime (hours)	10,000
Warranty	10 months

**Note: The above specifications are subject to change without notice.**



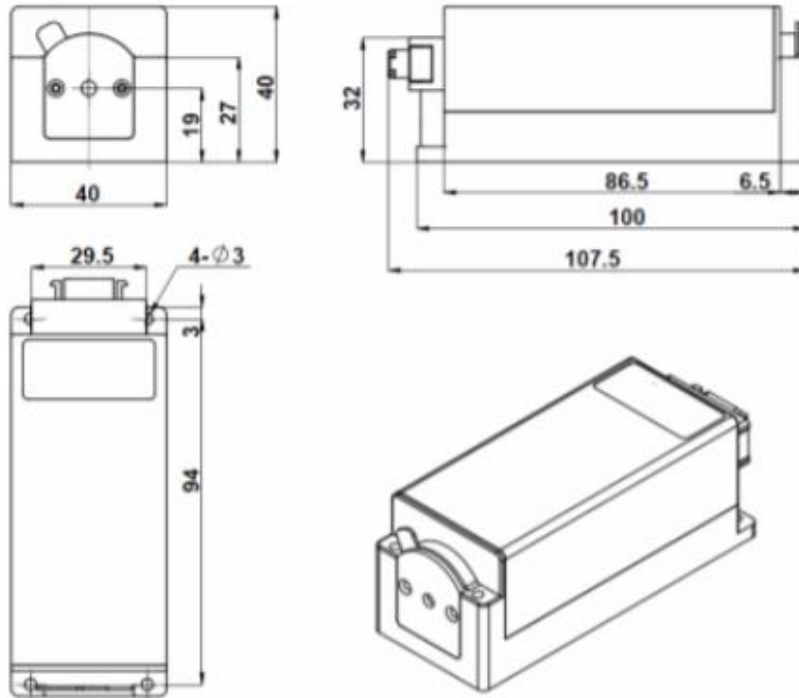
19608 Camino De Rosa, Walnut, CA 91789, USA | Tel: (909)718-0999 | Fax: (909)718-0998 |

E-mail: [info@lasermate.com](mailto:info@lasermate.com) | URL: <http://www.lasermate.com>



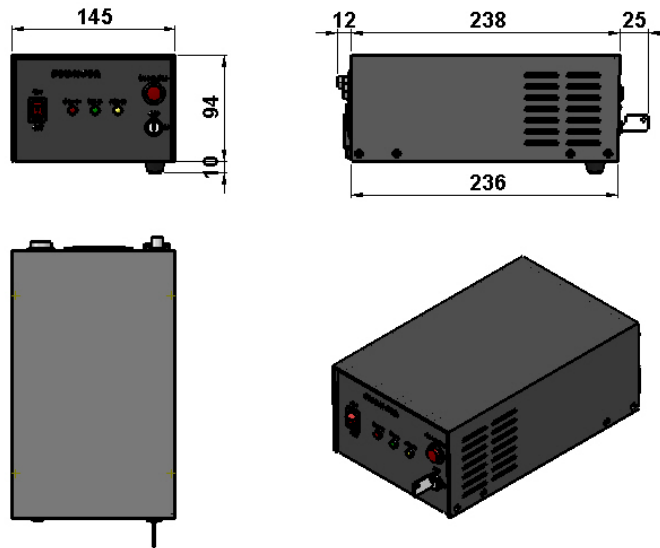
**MECHANICAL OUTLINE (unit: mm)**

**Laser Head**



**Power Supply**

**High Power Elite Power Supply (Y=H):**



**Note: The above specifications are subject to change without notice.**

