



**LASERMATE GROUP, INC.**

**The Friend of Lasers**

**Model No. DPS-473-XFYPQ**  
**GOOD SEALING 473nm DPSS BLUE LASER UP TO >50mW**

The DPS-series 473nm diode pumped all solid-state blue laser is constructed with features of good sealing water resistance, ultra-compactness, small size, wide operating temperature, good beam profile TEM<sub>00</sub>, FDA compliance, long lifetime, cost-effectiveness and easy operating, working under the pressure of 0.02kPa. It is widely used in fluorescence sensors, Raman spectrum, laser printing, holography, laser display, submarine communication, biomedicine and many other applications.

**SPECIFICATIONS**

<b>Model No.</b>	<b>DPS-473-XFYPQ</b>
<b>Wavelength (nm)</b>	473±1
<b>Output power (mW)</b>	>50 ( <b>X=50</b> )
<b>Transverse mode</b>	TEM <sub>00</sub>
<b>Operating mode</b>	CW
<b>Power stability (rms, over 4 hours)</b>	<3% ( <b>P=E</b> ), <2% ( <b>P=2</b> )
<b>Dimensions of beam at aperture (1/e<sup>2</sup>, mm)</b>	0.7±0.05
<b>Beam divergence, full angle (mrad)</b>	<1.5
<b>M<sup>2</sup> factor</b>	<1.2
<b>Polarization ratio</b>	>100:1, Vertical ±5 degree
<b>Warm-up time (minutes)</b>	<5
<b>Pointing stability after warm-up (mrad)</b>	<0.05
<b>Pointing stability over temp (μrad/°C)</b>	<8
<b>Beam height from base plate (mm)</b>	19
<b>IP rating</b>	IP67 (Protected from total dust ingress and water immersion between 15cm and 1m in depth)
<b>Power consumption (W)</b>	<30
<b>Shock tolerance (6ms)</b>	7g laterally, 15g vertically
<b>Operating temperature (°C)</b>	0-60
<b>Laser head</b>	100(L)×40(W) ×40(H) mm <sup>3</sup> , 0.36 kg
<b>Max heat dissipation of head (W)</b>	10W@50°C
<b>Power supply (90-240VAC)</b>	<b>High Power Elite Power Supply (Y=H):</b> 236(L) ×145(W) ×104(H) mm <sup>3</sup> , 2.3 kg; complete FDA compliant features, such as the turnkey switch and interlock, and easy to operate; CW mode with optional TTL or Analog modulation up to 10kHz
<b>Modulation option</b>	None ( <b>Q=0</b> ) TTL: 1Hz -1kHz ( <b>Q=1</b> ), 1kHz -10kHz ( <b>Q=2</b> ) Analog: 1Hz -1kHz ( <b>Q=3</b> ), 1kHz -10kHz ( <b>Q=4</b> )
<b>Expected lifetime (hours)</b>	10,000
<b>Warranty</b>	10 months

**Note: The above specifications are subject to change without notice.**



19608 Camino De Rosa, Walnut, CA 91789, USA | Tel: (909)718-0999 | Fax: (909)718-0998 |

E-mail: [info@lasermate.com](mailto:info@lasermate.com) | URL: <http://www.lasermate.com>

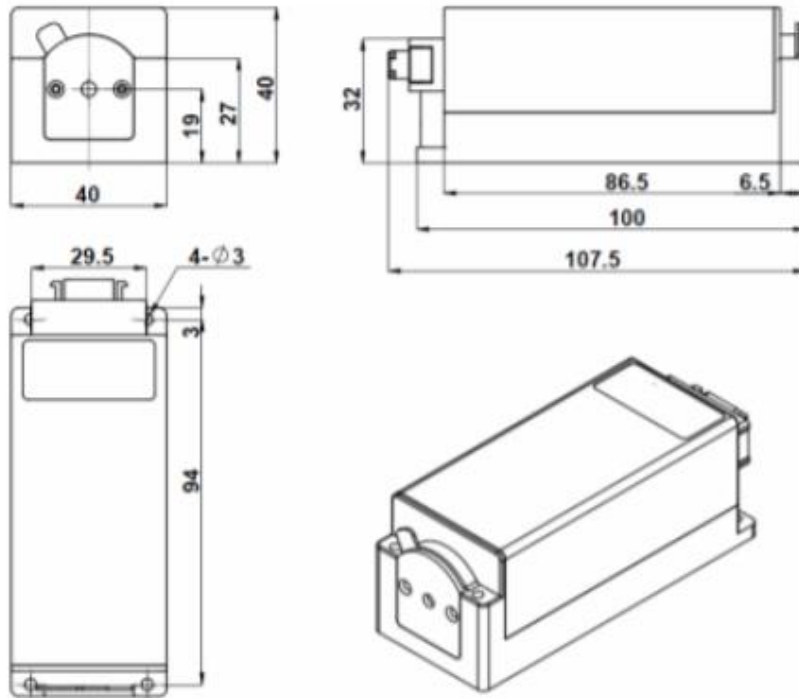


**LASERMATE GROUP, INC.**

**The Friend of Lasers**

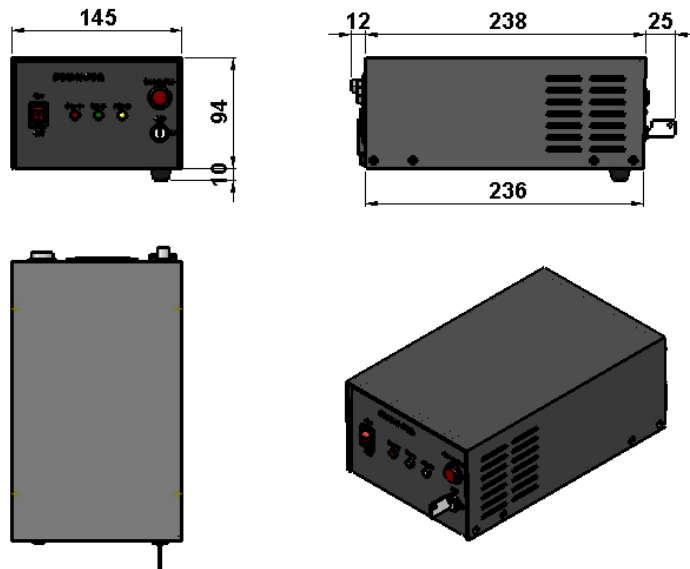
**MECHANICAL OUTLINE (unit: mm)**

**Laser Head**



**Power Supply**

**High Power Elite Power Supply (Y=H):**



**Note: The above specifications are subject to change without notice.**



19608 Camino De Rosa, Walnut, CA 91789, USA | Tel: (909)718-0999 | Fax: (909)718-0998 |

E-mail: [info@lasermate.com](mailto:info@lasermate.com) | URL: <http://www.lasermate.com>