



LASERMATE GROUP, INC.

The Friend of Lasers

Model No. DPS-1064-XFYPQ
GOOD SEALING 1064nm DPSS INFRARED LASER UP TO >1500mW

The DPS-series 1064nm diode pumped all solid-state infrared laser is constructed with features of good sealing water resistance, ultra-compactness, small size, wide operating temperature, good beam profile TEM₀₀, FDA compliance, long lifetime, cost-effectiveness and easy operating, working under the pressure of 0.02kPa. It is widely used in scientific experiment, measurement, optical instrument, optical sensor, communication, spectrum analysis and many other applications.

SPECIFICATIONS

Model No.	DPS-1064-XFYPQ
Wavelength (nm)	1064±1
Output power (mW)	>300 (X=300), >500 (X=500), >800 (X=800), >1000 (X=1W), >1500 (X=1500)
Laser crystal	Nd:YVO ₄
Transverse mode	TEM ₀₀
Operating mode	CW
Power stability (rms, over 4 hours)	<3% (P=E), <2% (P=2), <1% (P=D) for X=300 <3% (P=E), <2% (P=2) for X=500,800,1W,1500
Dimensions of beam at aperture (1/e², mm)	1.00±0.05 for X=300 1.20±0.05 for X=500,800,1W,1500
Beam divergence, full angle (mrad)	<1.7 for X=300 <1.8 for X=500,800,1W,1500
M² factor	<1.2 for X=300 <1.5 for X=500,800,1W,1500
Polarization ratio	>100:1, Horizontal ±5 degree
Warm-up time (minutes)	<5
Pointing stability after warm-up (mrad)	<0.05
Pointing stability over temp (μrad/°C)	<8
Beam height from base plate (mm)	19
IP rating	IP67 (Protected from total dust ingress and water immersion between 15cm and 1m in depth)
Power consumption (W)	<30
Shock tolerance (6ms)	7g laterally, 15g vertically
Operating temperature (°C)	0-60
Laser head	100(L)×40(W) ×40(H) mm ³ , 0.36 kg
Max heat dissipation of head (W)	10W@50°C
Power supply (90-240VAC)	High Power Elite Power Supply (Y=H): 236(L) ×145(W) ×104(H) mm ³ , 2.3 kg; complete FDA compliant features, such as the turnkey switch and interlock, and easy to operate; CW mode with optional TTL or Analog modulation up to 10kHz
Modulation option	None (Q=0) TTL: 1Hz -1kHz (Q=1), 1kHz -10kHz (Q=2) Analog: 1Hz -1kHz (Q=3), 1kHz -10kHz (Q=4)
Expected lifetime (hours)	10,000
Warranty	10 months

Note: The above specifications are subject to change without notice.



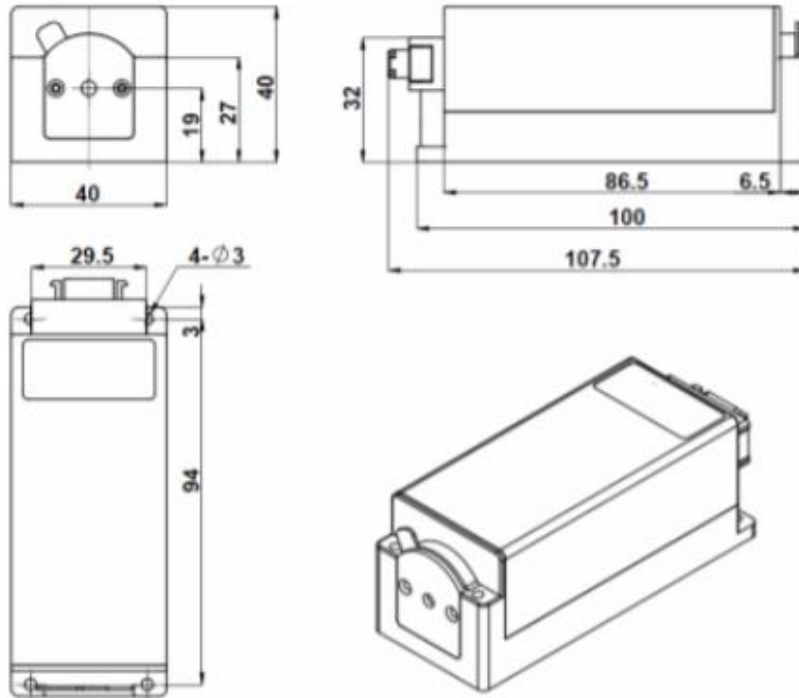
19608 Camino De Rosa, Walnut, CA 91789, USA | Tel: (909)718-0999 | Fax: (909)718-0998 |

E-mail: info@lasermate.com | URL: <http://www.lasermate.com>



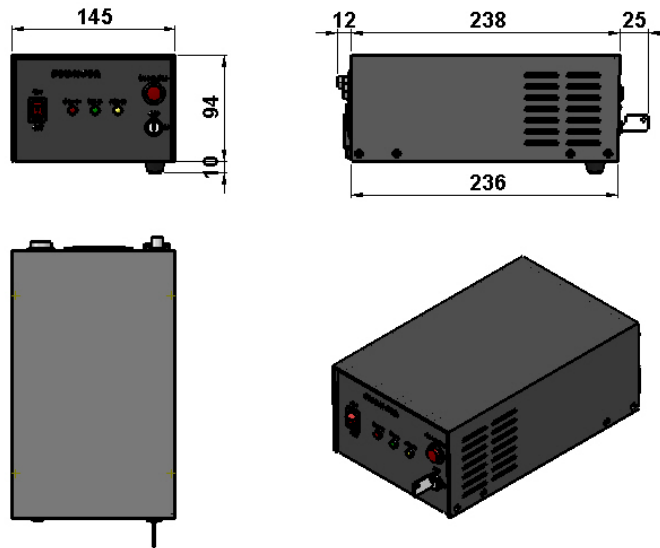
MECHANICAL OUTLINE (unit: mm)

Laser Head



Power Supply

High Power Elite Power Supply (Y=H):



Note: The above specifications are subject to change without notice.

