

**Model No. DPNU-671-XFYPZ****NARROW LINEWIDTH & ULTRA LOW NOISE 671nm DPSS LASER UP TO >500mW**

The DPNU-series 671nm DPSS laser is constructed with features of narrow spectrum linewidth <0.003nm, ultra-low noise, ultra-compactness, long lifetime, high stability and reliability. It is widely used in scientific experiment, instrument, medical measurement, spectrum analysis and many other applications. Housed in ultra-compact package, this laser is the ultimate choice for OEM instrumentation, system design and integration, and for end user applications in research and development. ***In addition, fiber coupled DPNU-series 671nm DPSS laser system is available upon request.***

SPECIFICATIONS

Model No.	DPNU-671-XFYPZ
Wavelength (nm)	671±1
Output power (mW)	>50 (X=50), >100 (X=100), >200 (X=200), >300 (X=300), >400 (X=400), >500 (X=500)
Operating mode	CW
Transverse mode	TEM ₀₀
Power stability (rms, over 4 hours)	<1% (P=D), <2% (P=2), <3% (P=E) for X=50,100,200,300 <2% (P=2), <3% (P=E) for X=400,500
Spectral linewidth (nm)	<0.003
Noise of amplitude (rms, 1Hz~20MHz)	<0.5% (Z=L), <1% (Z=1)
M² factor	<1.2
Beam diameter at the aperture (1/e², mm)	0.70±0.05
Beam divergence, full angle (mrad)	<1.5
Polarization Ratio	>100:1, Horizontal ±5 degree
Warm-up time (minutes)	<10
Pointing stability after warm-up (mrad)	<0.05
Beam height from base plate (mm)	27.4
Laser head consumption (W)	15 (typical), <25 (40°C)
Max. laser head base plate temp (°C)	50
Operating temperature (°C)	10~40
Laser Head	142.5(L)×60(W) ×50(H) mm ³ , 1.0 kg
Power supply (90-264VAC)	High Power Elite Power Supply (Y=H): 236(L) ×145(W) ×104(H) mm ³ , 2.3 kg; with complete FDA compliant features, such as the turnkey switch and interlock, and easy to operate; CW mode
Expected lifetime (hours)	10,000
Warranty	10 months
Remarks	The laser head needs to be used on a heat sink with good heat dissipation.

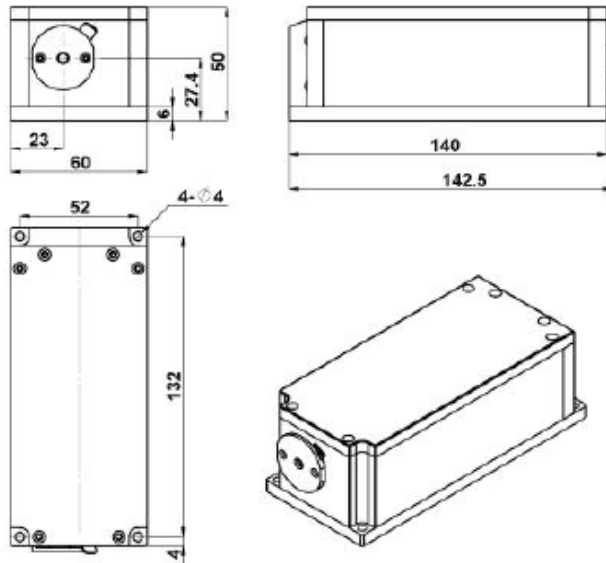
Note: The above specifications are subject to change without notice.





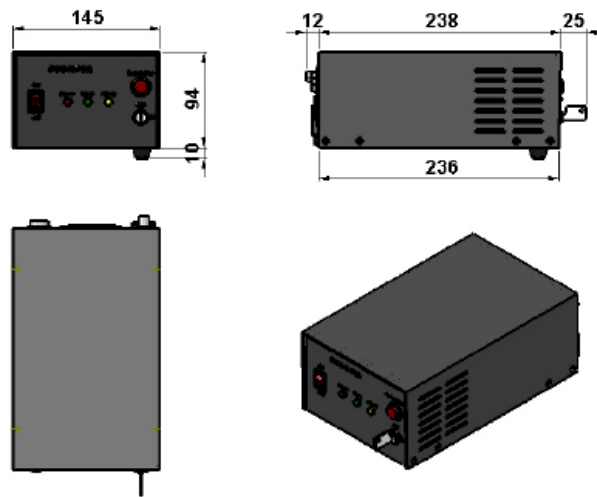
MECHANICAL OUTLINE (unit: mm)

Laser Head



Power Supply

High Power Elite Power Supply (Y=H)



Note: The above specifications are subject to change without notice.