

**Model No. DPNU-457-XFYPZ****NARROW LINEWIDTH & ULTRA LOW NOISE 457nm DPSS LASER UP TO >400mW**

The DPNU-series 457nm DPSS laser is constructed with features of narrow spectrum linewidth <0.003nm, ultra-low noise, FDA compliance, ultra-compactness, long lifetime, high stability and reliability. It is widely used in scientific experiment, instrument, medical measurement, spectrum analysis and many other applications. Housed in ultra-compact package, this laser is the ultimate choice for OEM instrumentation, system design and integration, and for end user applications in research and development. ***In addition, fiber coupled DPNU-series 457nm DPSS laser system is available upon request.***

**SPECIFICATIONS**

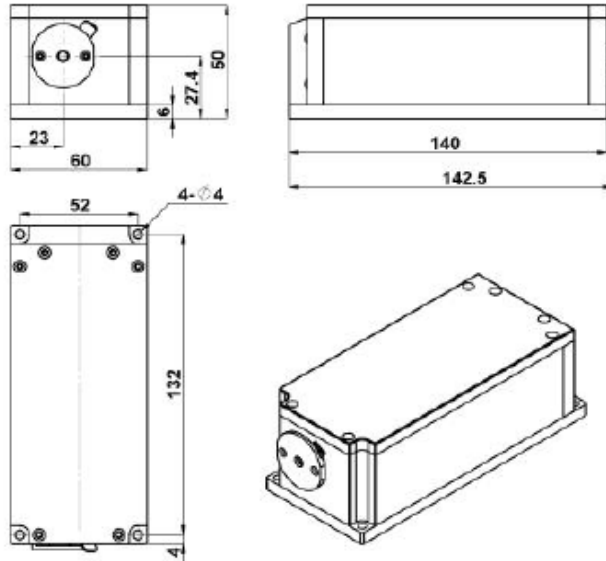
<b>Model No.</b>	<b>DPNU-457-XFYPZ</b>
<b>Wavelength (nm)</b>	457±1
<b>Output power (mW)</b>	>30 (X=30), >50 (X=50), >100 (X=100) >150 (X=150), >200 (X=200), >300 (X=300), >400 (X=400)
<b>Operating mode</b>	CW
<b>Transverse mode</b>	TEM <sub>00</sub>
<b>Power stability (rms, over 4 hours)</b>	<1% (P=D), <2% (P=2), <3% (P=E) for X=30,50,100,150 <2% (P=2), <3% (P=E), <5% (P=A) for X=200,300,400
<b>Spectral linewidth (nm)</b>	<0.003
<b>Noise of amplitude (rms, 1Hz~20MHz)</b>	<0.5% (Z=L), <1% (Z=1)
<b>M<sup>2</sup> factor</b>	<1.5
<b>Beam diameter at the aperture (1/e<sup>2</sup>, mm)</b>	0.70±0.05
<b>Beam divergence, full angle (mrad)</b>	<1.5
<b>Polarization Ratio</b>	>100:1, Vertical ±5 degree
<b>Warm-up time (minutes)</b>	<10
<b>Pointing stability after warm-up (mrad)</b>	<0.05
<b>Beam height from base plate (mm)</b>	27.4
<b>Laser head consumption (W)</b>	15 (typical), <25 (40°C)
<b>Max. laser head base plate temp (°C)</b>	50
<b>Operating temperature (°C)</b>	10~40
<b>Laser Head</b>	142.5(L)×60(W) ×50(H) mm <sup>3</sup> , 1.0 kg
<b>Power supply (90-264VAC)</b>	<b>High Power Elite Power Supply (Y=H):</b> 236(L) ×145(W) ×104(H) mm <sup>3</sup> , 2.3 kg; with complete FDA compliant features, such as the turnkey switch and interlock, and easy to operate; CW mode
<b>Expected lifetime (hours)</b>	10,000
<b>Warranty</b>	10 months
<b>Remarks</b>	The laser head needs to be used on a heat sink with good heat dissipation.

**Note: The above specifications are subject to change without notice.**



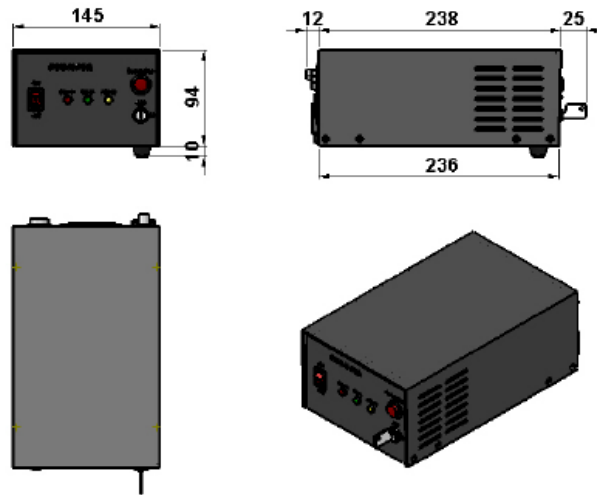
**MECHANICAL OUTLINE (unit: mm)**

**Laser Head**



**Power Supply**

**High Power Elite Power Supply (Y=H)**



**Note: The above specifications are subject to change without notice.**