

**Model No. DPN-656-XFYP2Q
656.5nm DPSS LASER UP TO >1200mW**

The DPN-series 656.5nm LD pumped all-solid-state laser is constructed with features of high stability, FDA compliance, ultra-compactness, long lifetime and easy operating. It is widely used in measurement, spectrum analysis and many other applications.

SPECIFICATIONS

Model No.	DPN-656-XFYP2Q
Wavelength (nm)	656.5±1
Output power (mW)	>300 (X=300), >500 (X=500), >800 (X=800), >1000 (X=1W), >1200 (X=1200)
Transverse mode	Near TEM ₀₀
Operating mode	CW
Power stability (rms, over 4 hours)	<5% (P=A), <3% (P=E)
Dimensions of beam at aperture (1/e², mm)	~3.5
Beam divergence, full angle (mrad)	<1.5
M² factor	<3.0
Polarization ratio	>100:1
Warm-up time (minutes)	<10
Beam height from base plate (mm)	68.5
Operating temperature (°C)	20-30
Laser head	245 (L) ×99 (W) ×94 (H) mm ³ , 2.6 kg
Power supply (90-240VAC)	High Power Elite Power Supply (Y=H): 307 (L) ×150 (W) ×106 (H) mm ³ , 2.9 kg; with complete FDA compliant features, such as the turnkey switch and interlock, and easy to operate; CW mode with optional TTL modulation up to 10kHz High Power Laboratory Power Supply (Y=M): 307 (L) ×150 (W) ×106 (H) mm ³ , 2.9 kg; with complete FDA compliant features, such as the turnkey switch and interlock, and more functions; CW mode with the adjustable output power knob, the operating current LED display, and optional TTL/Analog modulations up to 10kHz
Optional Modulation	None (Q=0) TTL: 1Hz -1kHz (Q=1), 1kHz -10kHz (Q=2) Analog: 1Hz -1kHz (Q=3), 1kHz -10kHz (Q=4)
Expected lifetime (hours)	10,000
Warranty	10 months
Remarks	The stability of output power is promised at the maximum output power only. The stability of output power may change when you adjust the output power.

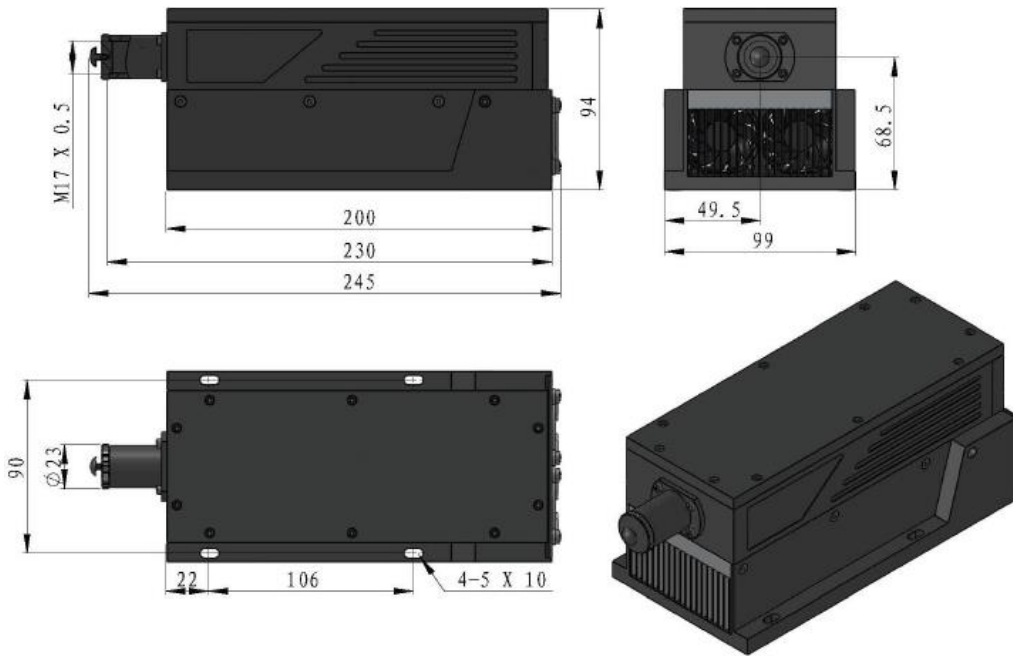
Note: The above specifications are subject to change without notice.





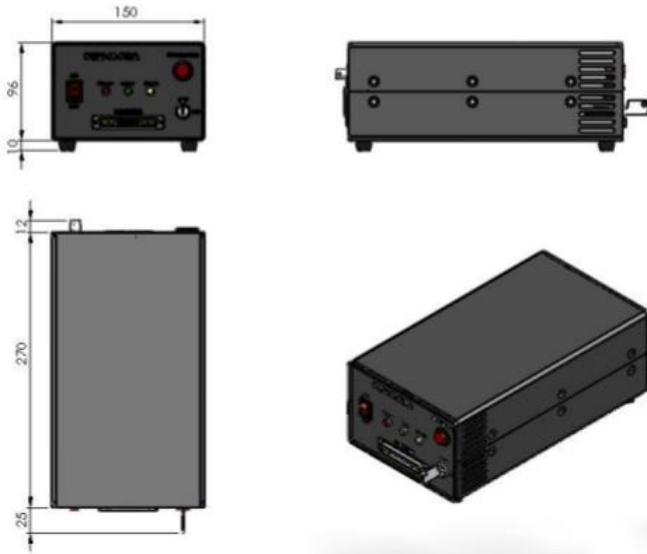
Mechanical Outline (unit: mm)

Laser Head

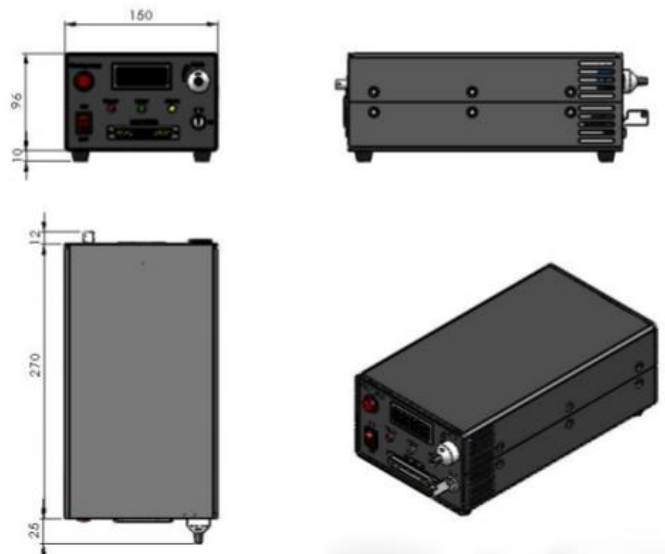


Power Supply

High Power Elite Power Supply (Y=H)



High Power Laboratory Power Supply (Y=M)



Note: The above specifications are subject to change without notice.

