

**Model No. DPN-473-XFYP2Q
473nm DPSS LASER UP TO >5000mW**

The DPN-series 473nm LD pumped all-solid-state laser is constructed with features of high stability, FDA compliance, good beam quality, ultra-compactness, long lifetime, low cost and easy operating. It is widely used in collimation, laser medical treatment, scientific experiment, optical instrument, laser display, laser lighting show and many other applications.

SPECIFICATIONS

Model No.	DPN-473-XFYP2Q	
Wavelength (nm)	473±1	
Output power (mW)	>600 (X=600), >800 (X=800), >1000 (X=1W), >1500 (X=1500)	>2000 (X=2W), >3000 (X=3W), >5000 (X=5W)
Transverse mode	TEM ₀₀	Near TEM ₀₁
Operating mode	CW	
Power stability (rms, over 4 hours)	<5% (P=A), <3% (P=E), <2% (P=2), <1% (P=D)	
Dimensions of beam at aperture (1/e², mm)	~2.0	~3.0
Beam divergence, full angle (mrad)	<1.2	
M² factor	<1.5	<5.0
Polarization ratio	>100:1	
Warm-up time (minutes)	<10	
Beam height from base plate (mm)	68.5	
Operating temperature (°C)	20~30	10~35
Laser head	245 (L) ×99 (W) ×94 (H) mm ³ , 2.6 kg	
Power supply (90-240VAC)	High Power Elite Power Supply (Y=H): 307 (L) ×150 (W) ×106 (H) mm ³ , 2.9 kg; with complete FDA compliant features, such as the turnkey switch and interlock, and easy to operate; CW mode with optional TTL modulation up to 10kHz High Power Laboratory Power Supply (Y=M): 307 (L) ×150 (W) ×106 (H) mm ³ , 2.9 kg; with complete FDA compliant features, such as the turnkey switch and interlock, and more functions; CW mode with the adjustable output power knob, the operating current LED display, and optional TTL/Analog modulations up to 10kHz	
Optional Modulation	None (Q=0) TTL: 1Hz -1kHz (Q=1), 1kHz -10kHz (Q=2) Analog: 1Hz -1kHz (Q=3), 1kHz -10kHz (Q=4)	
Expected lifetime (hours)	10,000	
Warranty	10 months	
Remarks	The stability of output power is promised at the maximum output power only. The stability of output power may change when you adjust the output power.	

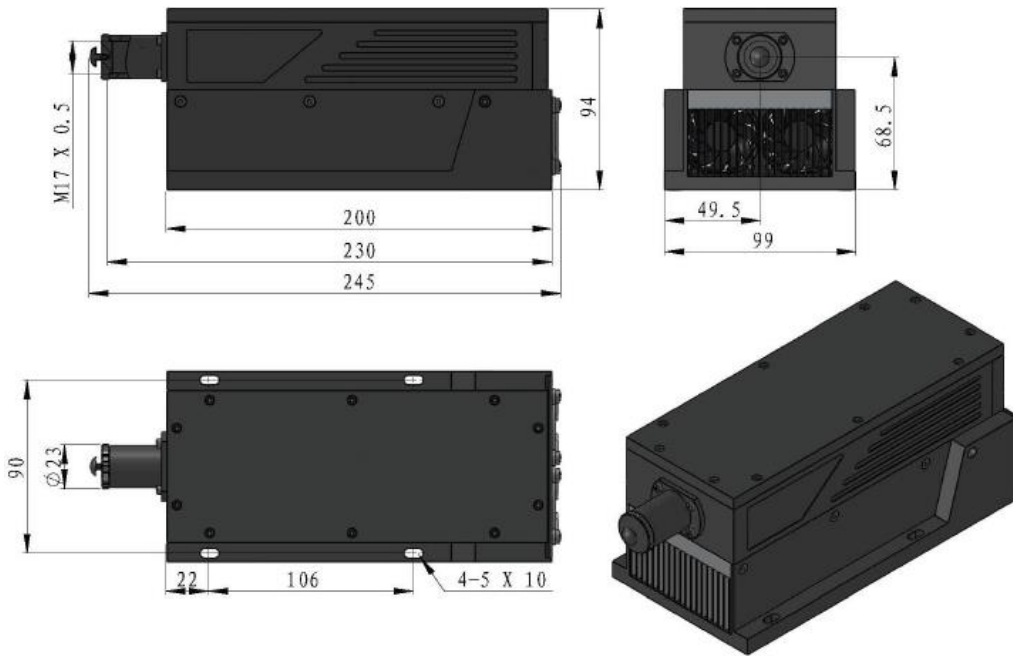
Note: The above specifications are subject to change without notice.





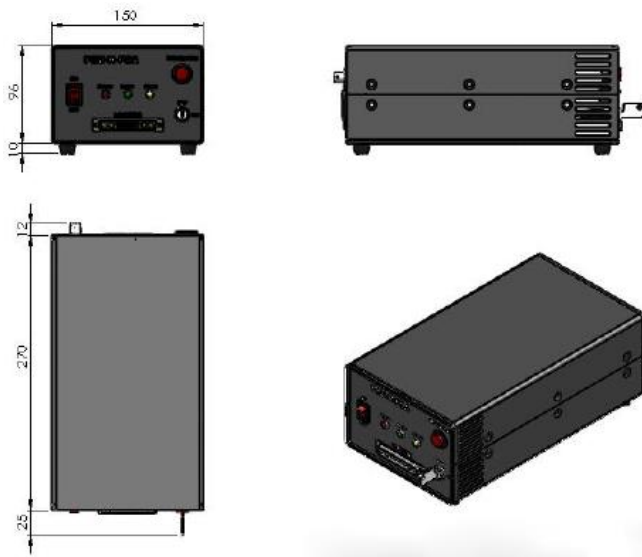
MECHANICAL OUTLINE (unit: mm)

Laser Head

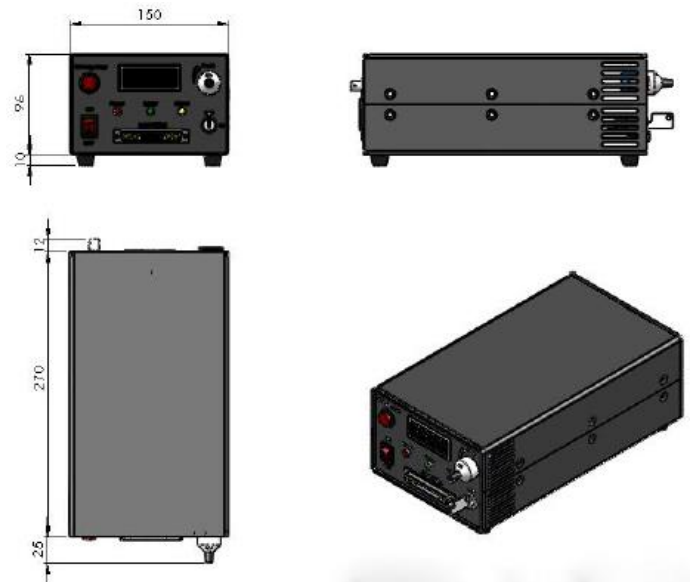


Power Supply

High Power Elite Power Supply (Y=H)



High Power Laboratory Power Supply (Y=M)



Note: The above specifications are subject to change without notice.

