



**Model No. DPN-1940-XFYP  
1940nm DPSS LASER UP TO >600mW**

The DPN-series 1940 nm LD pumped all-solid-state laser is constructed with features of high stability, FDA compliance, ultra-compactness, long lifetime, low cost and easy operating. It is widely used in measurement, communication, spectrum analysis and many other applications.

**SPECIFICATIONS**

<b>Model No.</b>	<b>DPN-1940-XFYP</b>
<b>Wavelength (nm)</b>	1940±1
<b>Output power (mW)</b>	>200 (X=200), >300 (X=300), >600 (X=600)
<b>Transverse mode</b>	Near TEM <sub>00</sub>
<b>Operating mode</b>	CW
<b>Power stability (rms, over 4 hours)</b>	<5% (P=A), <3% (P=E), <2% (P=2), <1% (P=D)
<b>Dimensions of beam at aperture (1/e<sup>2</sup>, mm)</b>	<4.0
<b>Beam divergence, full angle (mrad)</b>	<8.0
<b>Polarization ratio</b>	>100:1
<b>Warm-up time (minutes)</b>	<10
<b>Beam height from base plate (mm)</b>	68.5
<b>Operating temperature (°C)</b>	15~30
<b>Laser head</b>	230 (L) ×99 (W) ×94 (H) mm <sup>3</sup> , 2.5 kg
<b>Power supply (90-240VAC)</b>	<b>High Power Elite Power Supply (Y=H):</b> 275 (L) ×146 (W) ×104 (H) mm <sup>3</sup> , 2.4 kg; with complete FDA compliant features, such as the turnkey switch and interlock, and easy to operate; CW mode  <b>High Power Laboratory Power Supply (Y=M):</b> 277 (L) ×145 (W) ×106 (H) mm <sup>3</sup> , 2.6 kg; with complete FDA compliant features, such as the turnkey switch and interlock, and more functions; CW mode with the adjustable output power knob, and the operating current LED display
<b>Expected lifetime (hours)</b>	10,000
<b>Warranty</b>	10 months
<b>Remarks</b>	The stability of output power is promised at the maximum output power only. The stability of output power may change when you adjust the output power.

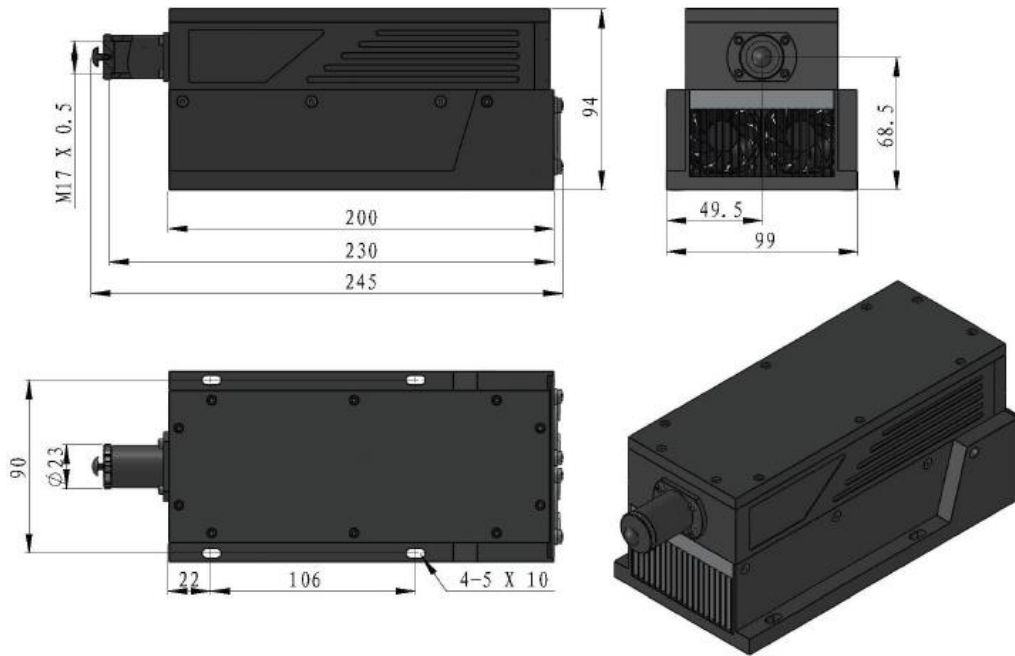
**Note: The above specifications are subject to change without notice.**





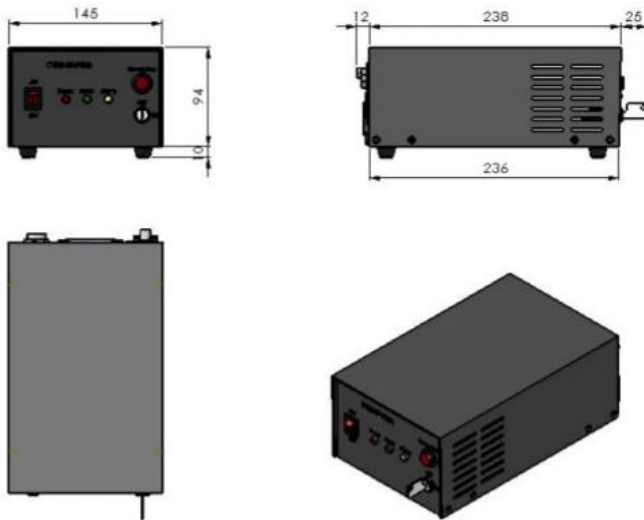
**Mechanical Outline (unit: mm)**

**Laser Head**

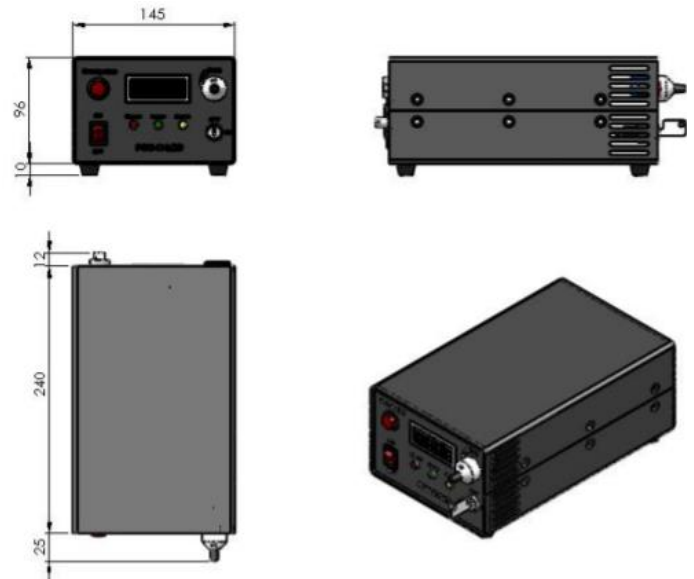


**Power Supply**

**High Power Elite Power Supply (Y=H)**



**High Power Laboratory Power Supply (Y=M)**



**Note: The above specifications are subject to change without notice.**

