

**Model No. DPN-1645-XFYP  
1645nm DPSS LASER UP TO >1000mW**

The DPN-series 1645 nm LD pumped all-solid-state laser is constructed with features of high stability, FDA compliance, good beam quality and in the eye-safe spectral range. It is widely used for long-distance telemetry and ranging, laser radars, and designation and many other applications.

**SPECIFICATIONS**

<b>Model No.</b>	<b>DPN-1645-XFYP</b>
<b>Wavelength (nm)</b>	1645±1
<b>Output power (mW)</b>	>100 ( <b>X=100</b> ), >300 ( <b>X=300</b> ), >500 ( <b>X=500</b> ), >800 ( <b>X=800</b> ), >1000 ( <b>X=1W</b> )
<b>Transverse mode</b>	Near TEM <sub>00</sub>
<b>Operating mode</b>	CW
<b>Power stability (rms, over 4 hours)</b>	<10% ( <b>P=B</b> ), <5% ( <b>P=A</b> )
<b>Dimensions of beam at aperture (1/e<sup>2</sup>, mm)</b>	<3.0
<b>Beam divergence, full angle (mrad)</b>	<3.0
<b>Warm-up time (minutes)</b>	<10
<b>Beam height from base plate (mm)</b>	68.5
<b>Operating temperature (°C)</b>	10~30
<b>Laser head</b>	245 (L) ×99 (W) ×94 (H) mm <sup>3</sup> , 2.5 kg
<b>Power supply (90-240VAC)</b>	275 (L) ×145 (W) ×104 (H) mm <sup>3</sup> , 2.4 kg ( <b>Y=B</b> )
<b>Expected lifetime (hours)</b>	10,000
<b>Warranty</b>	10 months
<b>Remarks</b>	The stability of output power is promised at the maximum output power only. The stability of output power may change when you adjust the output power. For example, the stability of output power at the maximum output power is <5%, the stability may change to 5% when you adjust the output power down.

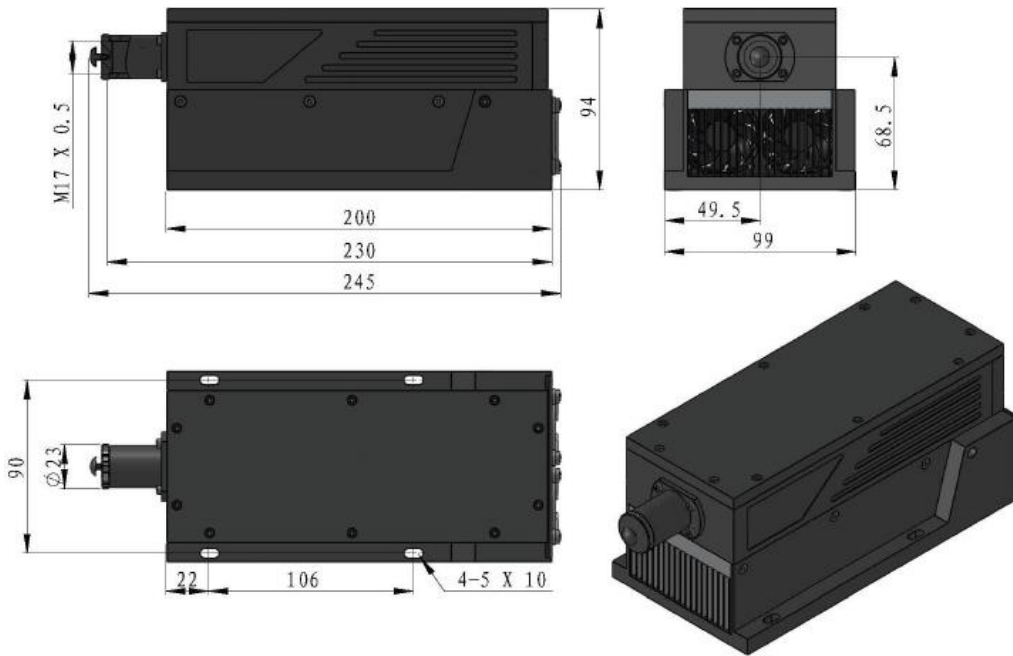
**Note: The above specifications are subject to change without notice.**



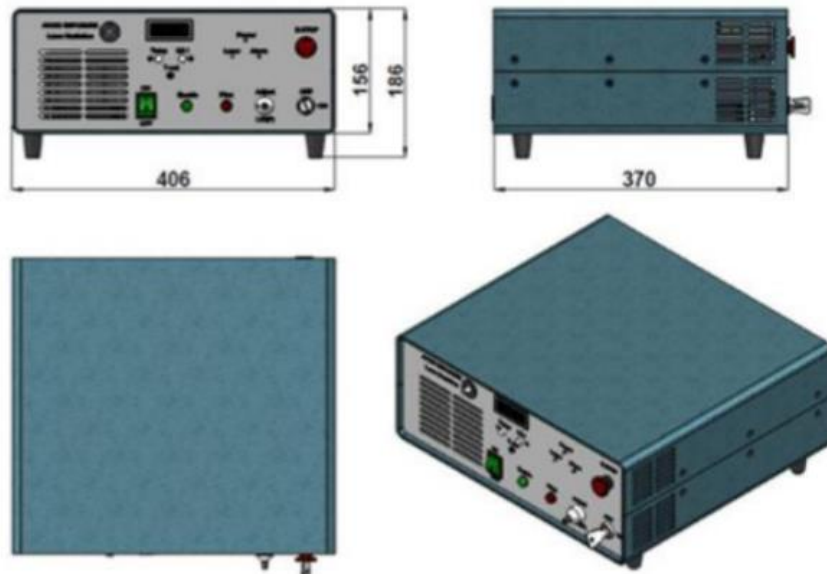


**Mechanical Outline (unit: mm)**

**Laser Head**



**Power Supply**



**Note: The above specifications are subject to change without notice.**

