



**Model No. DPH-480-XFYP
480nm DPSS LASER UP TO >30mW**

The DPH-series 480nm LD pumped all-solid-state blue laser is constructed with features of high stability, FDA compliance, ultra-compactness, long lifetime, cost effectiveness and easy operating. It is widely used in fluorescence sensors, Raman spectrum, laser printing, holography, laser display, submarine communication, biomedicine, laser lighting show, and many other applications.

SPECIFICATIONS

| | |
|---|---|
| Model No. | DPH-480-XFYP |
| Wavelength (nm) | 480±1 |
| Output power (mW) | >10 (X=10), >20 (X=20), >30 (X=30) |
| Transverse mode | Near TEM ₀₀ |
| Operating mode | CW |
| Power stability (rms, over 4 hours) | <10% (P=B) |
| Dimensions of beam at aperture (1/e², mm) | ~3.0 |
| Beam divergence, full angle (mrad) | <1.5 |
| M² factor | <3.0 |
| Polarization ratio | >100:1 |
| Warm-up time (minutes) | <10 |
| Noise of amplitude (rms, 1~20MHz) | ~30% |
| Beam height from base plate (mm) | 29 |
| Pointing stability after warm-up (mrad) | <0.05 |
| Operating temperature (°C) | 10~35 |
| Laser head | 154.5(L) x 77(W) x 60(H) mm ³ , 0.9kg |
| Power supply (90-240VAC) | High Power Elite Power Supply (Y=H): 236 (L) ×145(W) ×104(H) mm ³ , 2.3kg with complete FDA compliant features, such as the turnkey switch and interlock, and easy to operate; CW mode High Power Laboratory Power Supply (Y=M): 277(L) ×145(W) ×106 (H) mm ³ , 2.6kg with complete FDA compliant features, such as the turnkey switch and interlock, and more functions; CW mode with the adjustable output power knob, and operating current LED display |
| Expected lifetime (hours) | 10,000 |
| Warranty | 10 months |
| Remarks | The stability of output power is promised at the maximum output power only. The stability of output power may change when you adjust the output power. |

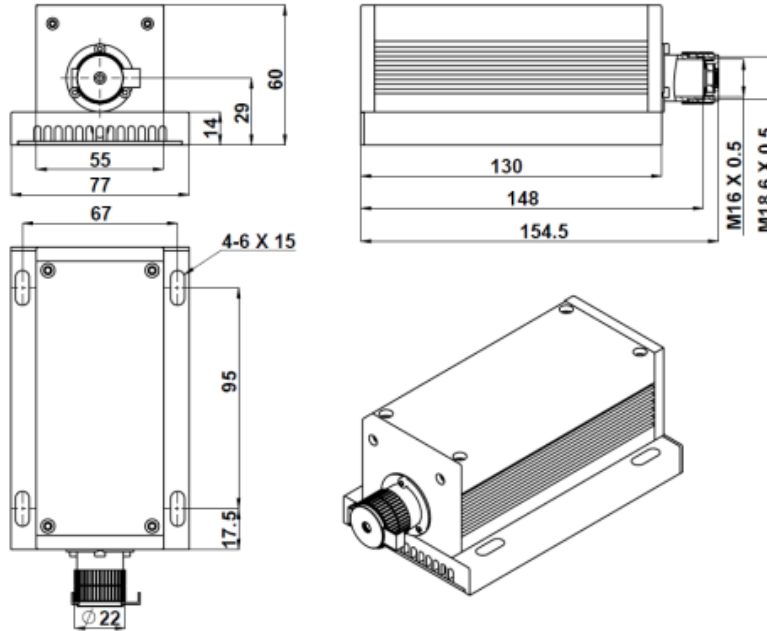
Note: The above specifications are subject to change without notice.





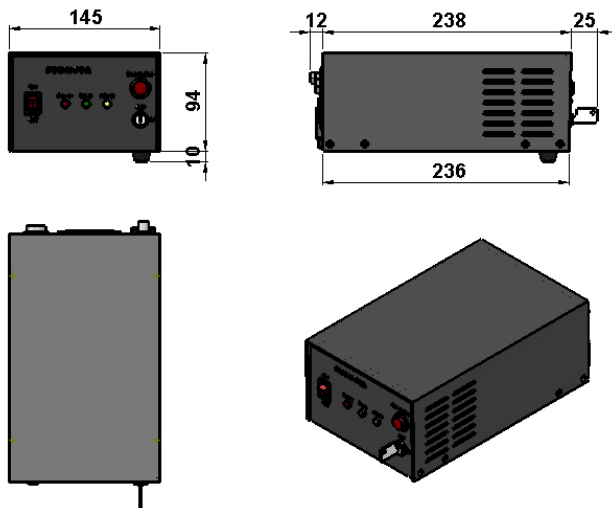
Mechanical Outline (unit: mm)

Laser Head



Power Supply

High Power Elite Power Supply (Y=H)



High Power Laboratory Power Supply (Y=M)



Note: The above specifications are subject to change without notice.

