

**Model No. DPH-1112-XFYP2Q
1112nm DPSS LASER UP TO >500mW**

The DPH-series 1112 nm LD pumped all-solid-state laser is constructed with features of high stability, FDA compliance, good beam quality TEM₀₀, ultra-compactness, long lifetime, cost effectiveness and easy operating. It is widely used in scientific experiment, optical instrument, optical sensor, measurement, communication, spectrum analysis, and many other applications.

SPECIFICATIONS

Model No.	DPH-1112-XFYP2Q	
Wavelength (nm)	1112±3	
Output power (mW)	>200 (X=200), >300 (X=300)	>500 (X=500)
Transverse mode	TEM ₀₀	
Operating mode	CW	
Power stability (rms, over 4 hours)	<5% (P=A), <3% (P=E), <2% (P=2), <1% (P=D)	<5% (P=A), <3% (P=E), <2% (P=2)
Dimensions of beam at aperture (1/e², mm)	~3.0	
Beam divergence, full angle (mrad)	<2.0	
M² factor	<2.0	
Warm-up time (minutes)	<10	
Beam height from base plate (mm)	29	
Pointing stability after warm-up (mrad)	<0.05	
Operating temperature (°C)	10~35	
Laser head	154.5(L) x 77(W) x 60(H) mm ³ , 0.9kg	
Power supply (90-240VAC)	High Power Elite Power Supply (Y=H): 236 (L) x145(W) x104(H) mm ³ , 2.3kg; complete FDA compliant features, such as the turnkey switch and interlock, and easy to operate; CW mode with optional TTL modulation up to 10kHz High Power Laboratory Power Supply (Y=M): 277(L) x145(W) x106 (H) mm ³ , 2.6kg; complete FDA compliant features, such as the turnkey switch and interlock, and more functions; CW mode with the adjustable output power knob, the operating current LED display, and optional TTL/Analog modulations up to 10kHz	
Modulation option	None (Q=0) TTL: 1Hz -1kHz (Q=1), 1kHz -10kHz (Q=2) Analog: 1Hz -1kHz (Q=3), 1kHz -10kHz (Q=4)	
Expected lifetime (hours)	10,000	
Warranty	10 months	
Remarks	The stability of output power is promised at the maximum output power only. The stability of output power may change when you adjust the output power.	

Note: The above specifications are subject to change without notice.



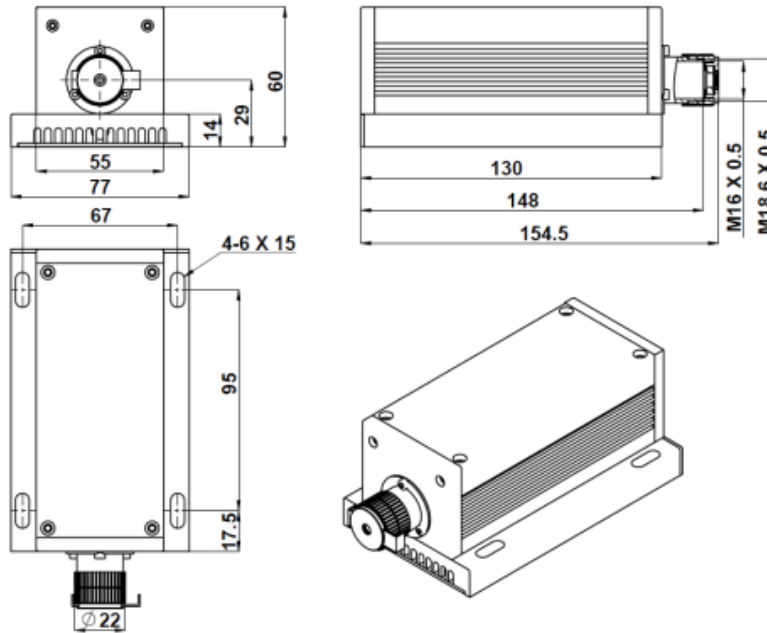


LASERMATE GROUP, INC.

The Friend of Lasers

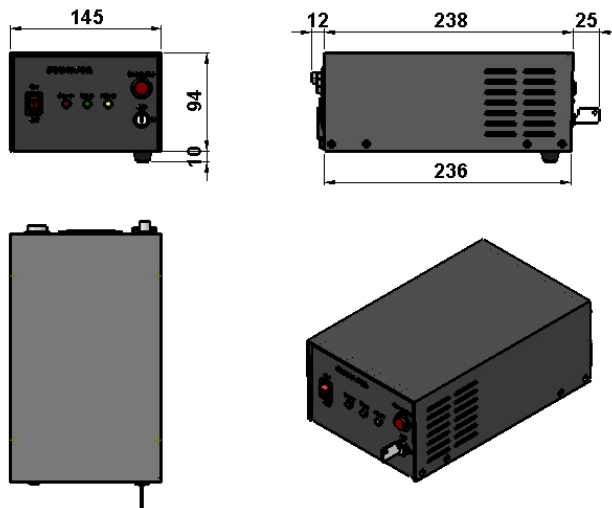
Mechanical Outline (unit: mm)

Laser Head

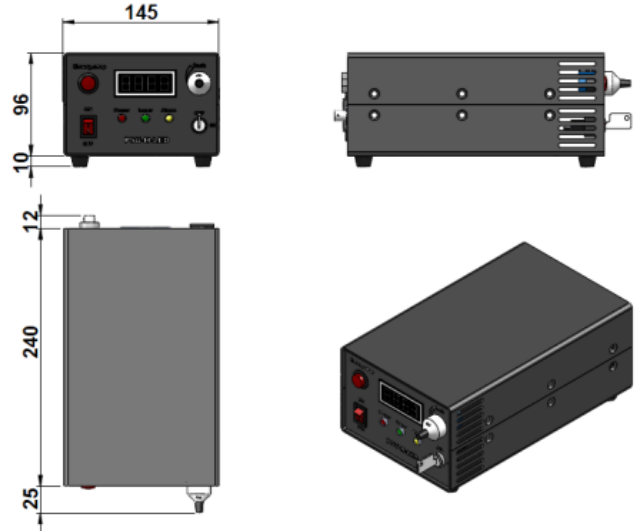


Power Supply

High Power Elite Power Supply (Y=H)



High Power Laboratory Power Supply (Y=M)



Note: The above specifications are subject to change without notice.



19608 Camino De Rosa, Walnut, CA 91789, USA | Tel: (909)718-0999 | Fax: (909)718-0998 |

E-mail: info@lasermate.com | URL: <http://www.lasermate.com>