



Model No. DPH-1047-XFYPZQ
1047nm DPSS LASER UP TO >1000mW

The DPH-series 1047 nm LD pumped all-solid-state laser is constructed with features of high stability, low noise option, FDA compliance, ultra-compactness, long lifetime, cost effectiveness and easy operating. It is widely used in scientific experiment, optical instrument, optical sensor, measurement, communication, spectrum analysis, and many other applications.

SPECIFICATIONS

Model No.	DPH-1047-XFYPZQ
Wavelength (nm)	1047±1
Output power (mW)	>800 (X=800), >1000 (X=1W)
Laser crystal	Nd:YLF
Transverse mode	Near TEM ₀₀
Operating mode	CW
Power stability (rms, over 4 hours)	<5% (P=A), <3% (P=E)
Noise of amplitude (rms, 20Hz-20MHz)	<1% for Low Noise (Z=1); >1% (Z=2)
Dimensions of beam at aperture (1/e ² , mm)	~3.0
Beam divergence, full angle (mrad)	<2.0
M ² factor	<2.0
Polarization ratio	>100:1
Warm-up time (minutes)	<10
Beam height from base plate (mm)	29
Pointing stability after warm-up (mrad)	<0.05
Operating temperature (°C)	10~35
Laser head	154.5(L) x 77(W) x 60(H) mm ³ , 0.9kg
Power supply (90-240VAC)	High Power Elite Power Supply (Y=H): 236 (L) x145(W) x104(H) mm ³ , 2.3kg; complete FDA compliant features, such as the turnkey switch and interlock, and easy to operate; CW mode with optional TTL modulation up to 10kHz **Note: If with Low Noise Z=1, then only Y=H. High Power Laboratory Power Supply (Y=M): 277(L) x145(W) x106 (H) mm ³ , 2.6kg; complete FDA compliant features, such as the turnkey switch and interlock, and more functions; CW mode with the adjustable output power knob, the operating current LED display, and optional TTL/Analog modulations up to 10kHz
Modulation option	None (Q=0) TTL: 1Hz -1kHz (Q=1), 1kHz -10kHz (Q=2) Analog: 1Hz -1kHz (Q=3), 1kHz -10kHz (Q=4) **Note: Modulation option only available for Z=2.
Expected lifetime (hours)	10,000
Warranty	10 months
Remarks	The stability of output power is promised at the maximum output power only. The stability of output power may change when you adjust the output power.

Note: The above specifications are subject to change without notice.



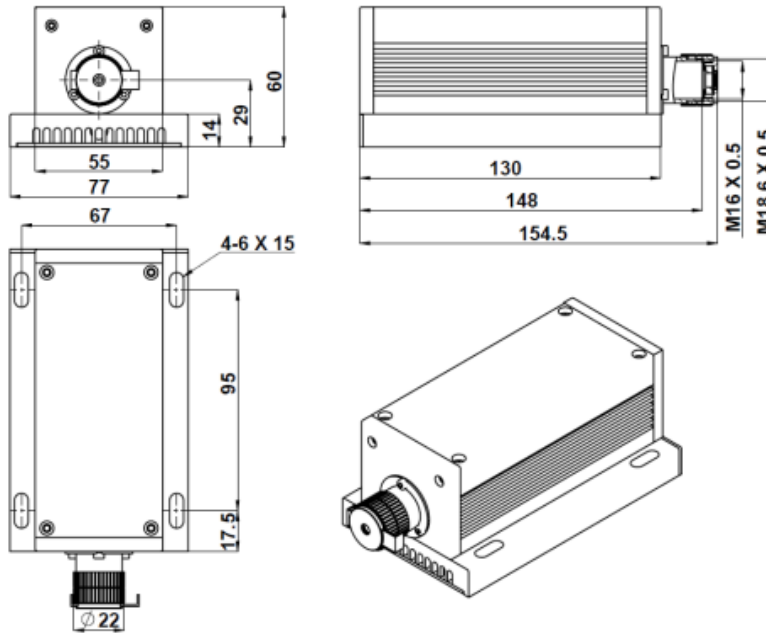


LASERMATE GROUP, INC.

The Friend of Lasers

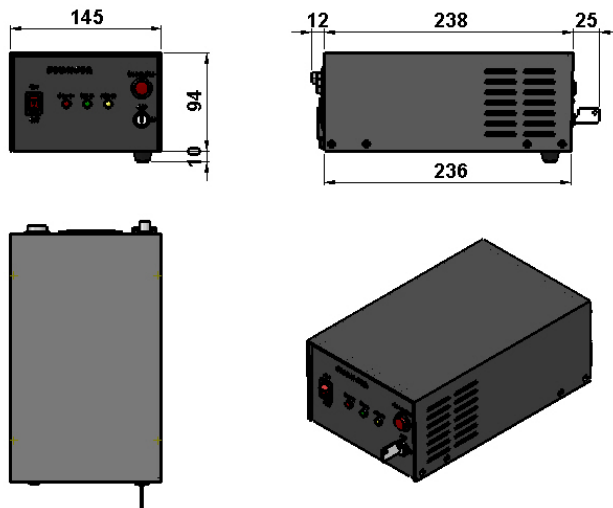
Mechanical Outline (unit: mm)

Laser Head

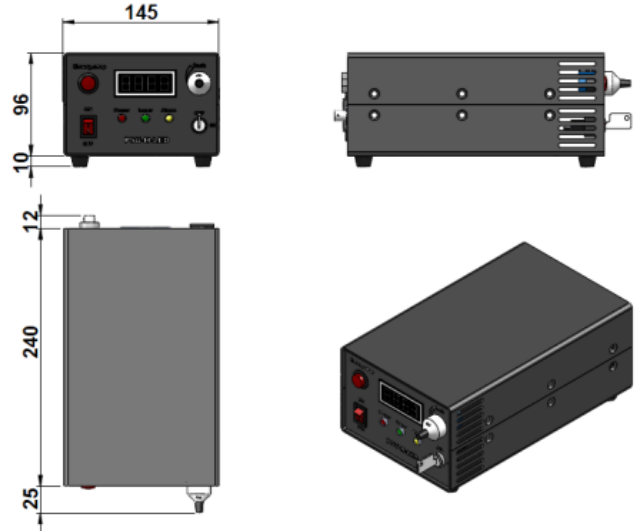


Power Supply

High Power Elite Power Supply (Y=H)



High Power Laboratory Power Supply (Y=M)



Note: The above specifications are subject to change without notice.



19608 Camino De Rosa, Walnut, CA 91789, USA | Tel: (909)718-0999 | Fax: (909)718-0998 |

E-mail: info@lasermate.com | URL: <http://www.lasermate.com>