



**Model No. DPH-1040-XFYPZQ**  
**1040nm DPSS LASER UP TO >100mW**

The DPH-series 1040 nm LD pumped all-solid-state laser is constructed with features of high stability, low noise option, FDA compliance, good beam quality TEM<sub>00</sub>, ultra-compactness, long lifetime, cost effectiveness and easy operating. It is widely used in scientific experiment, optical instrument, optical sensor, measurement, communication, spectrum analysis, and many other applications.

**SPECIFICATIONS**

Model No.	DPH-1040-XFYPZQ
Wavelength (nm)	1040±1
Output power (mW)	>50 (X=50), >100 (X=100)
Laser crystal	Yb:YAG
Transverse mode	TEM <sub>00</sub>
Operating mode	CW
Power stability (rms, over 4 hours)	<5% (P=A), <3% (P=E)
Noise of amplitude (rms, 20Hz-20MHz)	<3% for Low Noise (Z=5); >3% (Z=6)
Dimensions of beam at aperture (1/e <sup>2</sup> , mm)	~3.0
Beam divergence, full angle (mrad)	<2.0
M <sup>2</sup> factor	<1.2
Polarization ratio	>3:1 (Arbitrary degree)
Warm-up time (minutes)	<10
Beam height from base plate (mm)	29
Pointing stability after warm-up (mrad)	<0.05
Operating temperature (°C)	10~35
Laser head	For Z=2: 154.5(L) x 77(W) x 60(H) mm <sup>3</sup> , 0.9kg For Low Noise Z=1: 153(L) x 77(W) x 60(H) mm <sup>3</sup> , 0.9kg
Power supply (90-240VAC)	<b>High Power Elite Power Supply (Y=H):</b> For Z=2: 236 (L) ×145(W) ×104(H) mm <sup>3</sup> , 2.3kg; For Low Noise Z=1: 275 (L) ×145(W) ×104(H) mm <sup>3</sup> , 2.3kg; With complete FDA compliant features, such as the turnkey switch and interlock, and easy to operate; CW mode with optional TTL modulation up to 10kHz  <b>High Power Laboratory Power Supply (Y=M):</b> 277(L) ×145(W) ×106 (H) mm <sup>3</sup> , 2.6kg; complete FDA compliant features, such as the turnkey switch and interlock, and more functions; CW mode with the adjustable output power knob, and operating current LED display, and optional TTL/Analog modulations up to 10kHz
Modulation option	None (Q=0) TTL: 1Hz -1kHz (Q=1), 1kHz -10kHz (Q=2) Analog: 1Hz -1kHz (Q=3), 1kHz -10kHz (Q=4) **Note: Modulation option only available for Z=2.
Expected lifetime (hours)	10,000
Warranty	10 months





Remarks

The stability of output power is promised at the maximum output power only. The stability of output power may change when you adjust the output power.

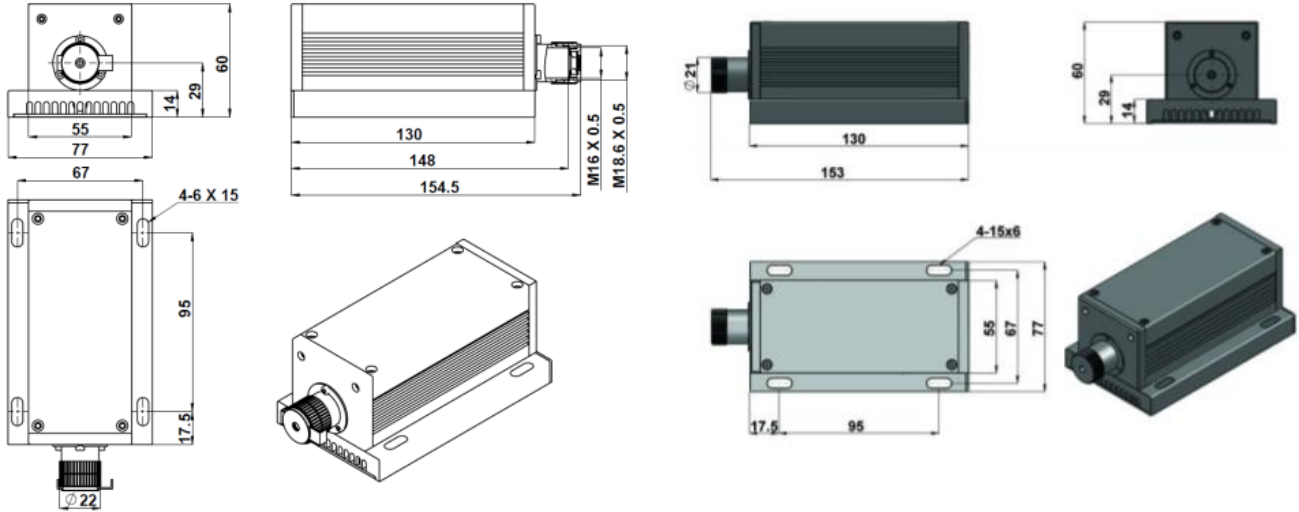
Note: The above specifications are subject to change without notice.

Mechanical Outline (unit: mm)

Laser Head

When Z=2:

With Low Noise Z=1:

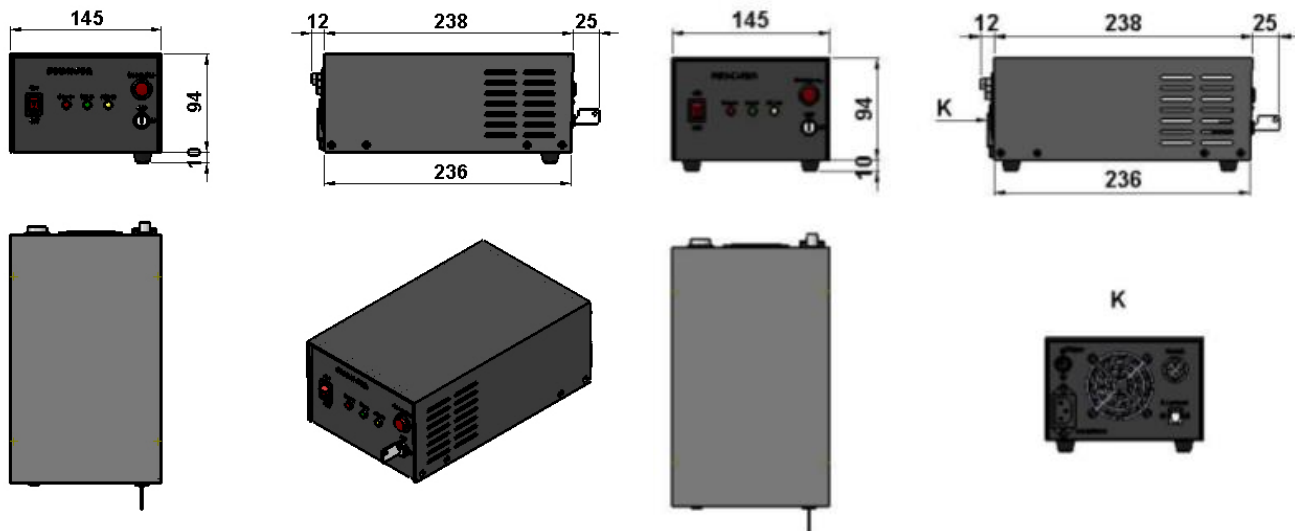


Power Supply

High Power Elite Power Supply (Y=H)

When Z=2:

With Low Noise Z=1:





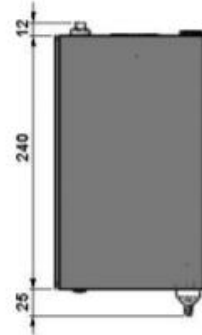
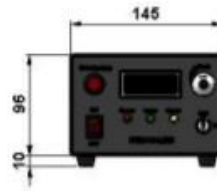
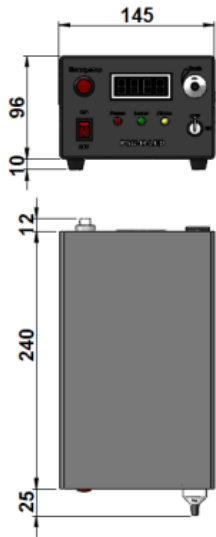
LASERMATE GROUP, INC.

The Friend of Lasers

**High Power Laboratory Power Supply (Y=M)**

When Z=2:

With Low Noise Z=1:



**Note: The above specifications are subject to change without notice.**



19608 Camino De Rosa, Walnut, CA 91789, USA | Tel: (909)718-0999 | Fax: (909)718-0998 |

E-mail: [info@lasermate.com](mailto:info@lasermate.com) | URL: <http://www.lasermate.com>