

**Model No. DPFN-721-XFYPZQ
721nm DPSS LASER UP TO >500mW**

The DPFN-series 721 nm LD pumped all-solid-state laser is constructed with features of high stability, low noise option, FDA compliance, good beam profile TEM₀₀, ultra-compactness, long lifetime and easy operating. It is widely used in measurement, spectrum analysis, scientific research and many other applications.

SPECIFICATIONS

Model No.	DPFN-721-XFYPZQ	
Wavelength (nm)	721±1	
Output power (mW)	>50 (X=50), >100 (X=100), >200 (X=200)	>300 (X=300), >400 (X=400), >500 (X=500)
Transverse mode	TEM ₀₀	
Operating mode	CW	
Power stability (rms, over 4 hours)	<5% (P=A), <3% (P=E)	<10% (P=B), <5% (P=A), <3% (P=E)
Noise of amplitude (rms, 1Hz-20MHz)	<1% for Low Noise (Z=1) for X=50,100; >1% (Z=2)	
Dimensions of beam at aperture (1/e², mm)	~2.0	
Beam divergence, full angle (mrad)	<1.5	
M² factor	<1.2	
Polarization ratio	>100:1 (Vertical)	
Warm-up time (minutes)	<10	
Beam height from base plate (mm)	27.4	
Operating temperature (°C)	10~35	
Laser head	197(L)×70(W) ×50(H)mm ³ ; 1.36kg	
Power supply (90-240VAC)	High Power Elite Power Supply (Y=H): 236(L) ×145(W) ×104(H) mm ³ , 2.3kg with complete FDA compliant features, such as the turnkey switch and interlock, and easy to operate; CW mode with optional TTL modulation up to 10kHz **Note: If with Low Noise Z=1, then only Y=H. High Power Laboratory Power Supply (Y=M): 277(L) ×145(W) ×106 (H) mm ³ , 2.6kg with complete FDA compliant features, such as the turnkey switch and interlock, and more functions; CW mode with the adjustable output power knob, the operating current LED display, and optional TTL/Analog modulations up to 10kHz	
Optional Modulation	None (Q=0) TTL: 1Hz -1kHz (Q=1), 1kHz -10kHz (Q=2) Analog: 1Hz -1kHz (Q=3), 1kHz -10kHz (Q=4) **Note: Modulation option only available for Z=2.	
Expected lifetime (hours)	10,000	
Warranty	10 months	
Remarks	The laser head needs to be used on a heat sink with good heat dissipation.	

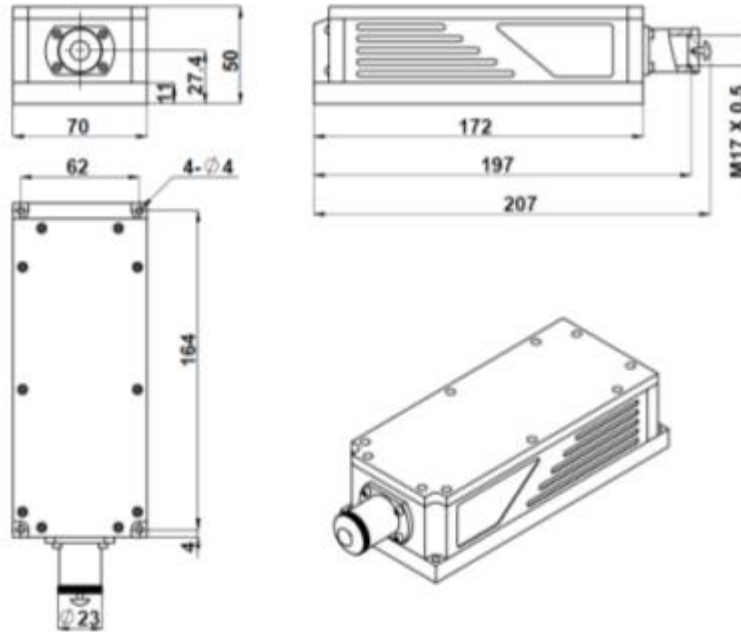
Note: The above specifications are subject to change without notice.





Mechanical Outline (unit: mm)

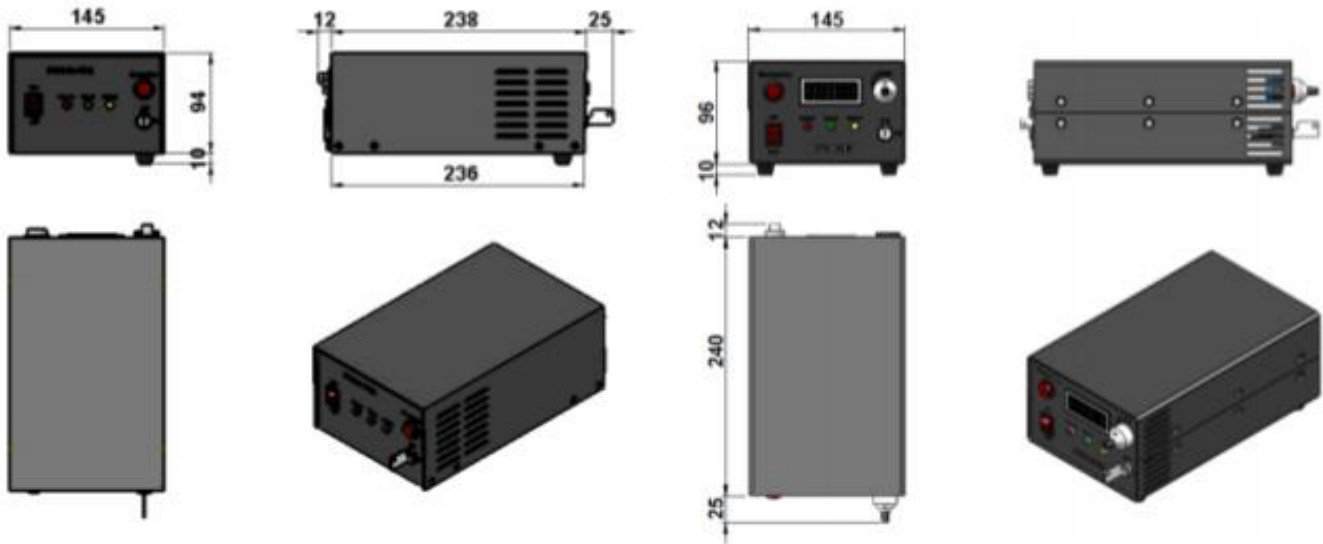
Laser Head



Power Supply

High Power Elite Power Supply (Y=H)

High Power Laboratory Power Supply (Y=M)



Note: The above specifications are subject to change without notice.

