



Model No. DPFN-671-XFYPZQ
671nm DPSS LASER UP TO >1000mW

The DPFN-series 671 nm LD pumped all-solid-state laser is constructed with features of high stability, low noise option, FDA compliance, good beam profile TEM00, ultra-compactness, long lifetime, low cost and easy operating. It is widely used in measurement, spectrum analysis, scientific research and many other applications.

SPECIFICATIONS

Model No.	DPFN-671-XFYPZQ	
Wavelength (nm)	671±1	
Output power (mW)	>100 (X=100), >200 (X=200), >300 (X=300)	>500 (X=500), >800 (X=800), >1000 (X=1W)
Transverse mode	TEM ₀₀ for Z=2; Near TEM ₀₀ for Low Noise Z=1	
Operating mode	CW	
Power stability (rms, over 4 hours)	<3% (P=E), <2% (P=2), <1% (P=D)	<3% (P=E), <2% (P=2)
Noise of amplitude (rms, 20Hz-20MHz)	<1% for Low Noise (Z=1); >1% (Z=2)	
Dimensions of beam at aperture (1/e ² , mm)	~2.0	
Beam divergence, full angle (mrad)	<1.5	
M ² factor	<1.2	
Polarization ratio	>100:1 Horizontal ±5 degree	
Warm-up time (minutes)	<10	
Beam height from base plate (mm)	27.4	
Pointing stability after warm-up (mrad)	<0.05	
Operating temperature (°C)	10~35	
Laser head	197(L)×70(W) ×50(H)mm ³ ; 2.0kg	
Power supply (90-240VAC)	<p>High Power Elite Power Supply (Y=H): 236(L) ×145(W) ×104(H) mm³, 2.3kg with complete FDA compliant features, such as the turnkey switch and interlock, and easy to operate; CW mode with optional TTL modulation up to 10kHz</p> <p>**Note: If with Low Noise Z=1, then only Y=H.</p> <p>High Power Laboratory Power Supply (Y=M): 277(L) ×145(W) ×106 (H) mm³, 2.6kg with complete FDA compliant features, such as the turnkey switch and interlock, and more functions; CW mode with the adjustable output power knob, the operating current LED display, and optional TTL/Analog modulations up to 10kHz</p>	
Optional Modulation	<p>None (Q=0)</p> <p>TTL: 1Hz -1kHz (Q=1), 1kHz -10kHz (Q=2)</p> <p>Analog: 1Hz -1kHz (Q=3), 1kHz -10kHz (Q=4)</p> <p>**Note: Modulation option only available for Z=2.</p>	
Expected lifetime (hours)	10,000	
Warranty	10 months	
Remarks	The laser head needs to be used on a heat sink with good heat dissipation.	

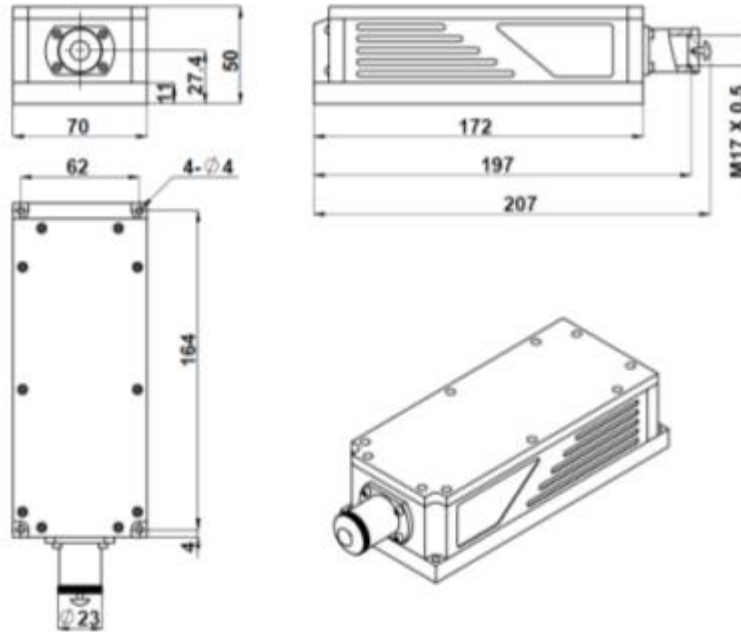
Note: The above specifications are subject to change without notice.





Mechanical Outline (unit: mm)

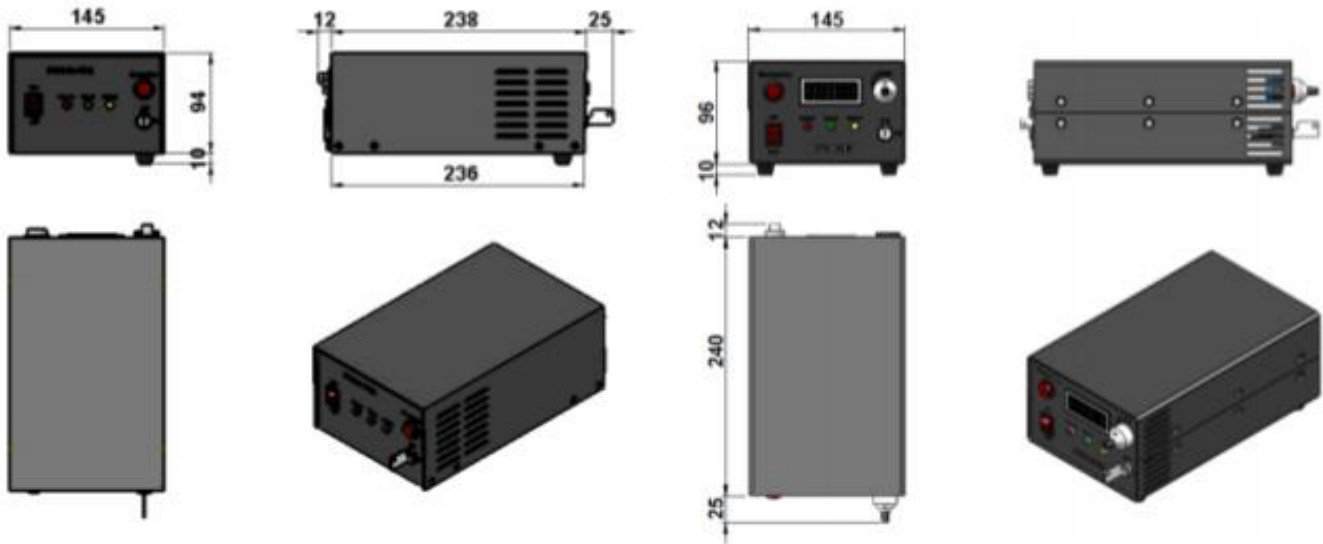
Laser Head



Power Supply

High Power Elite Power Supply (Y=H)

High Power Laboratory Power Supply (Y=M)



Note: The above specifications are subject to change without notice.