



LASERMATE GROUP, INC.

The Friend of Lasers

**Model No. DPFN-656-XFYP2Q
656.5nm DPSS LASER UP TO >200mW**

The DPFN-series 656.5nm LD pumped all-solid-state laser is constructed with features of high stability, FDA compliance, good beam profile TEM₀₀, ultra-compactness, long lifetime and easy operating. It is widely used in scientific research, measurement, spectrum analysis, and many other applications.

SPECIFICATIONS

Model No.	DPFN-656-XFYP2Q
Wavelength (nm)	656.5±1
Output power (mW)	>30 (X=30), >50 (X=50), >100 (X=100), >200 (X=200)
Transverse mode	TEM ₀₀
Operating mode	CW
Power stability (rms, over 4 hours)	<10% (P=B), <5% (P=A), <3% (P=E)
Dimensions of beam at aperture (1/e², mm)	~2.0
Beam divergence, full angle (mrad)	<1.5
M² factor	<1.2
Polarization ratio	>100:1 Horizontal ±5 degree
Warm-up time (minutes)	<10
Beam height from base plate (mm)	27.4
Pointing stability after warm-up (mrad)	<0.05
Operating temperature (°C)	10~35
Laser head	197(L)×70(W) ×50(H)mm ³ ; 2.0kg
Power supply (90-240VAC)	High Power Elite Power Supply (Y=H): 236(L) ×145(W) ×104(H) mm ³ , 2.3kg with complete FDA compliant features, such as the turnkey switch and interlock, and easy to operate; CW mode with optional TTL modulation up to 10kHz High Power Laboratory Power Supply (Y=M): 277(L) ×145(W) ×106 (H) mm ³ , 2.6kg with complete FDA compliant features, such as the turnkey switch and interlock, and more functions; CW mode with the adjustable output power knob, the operating current LED display, and optional TTL/Analog modulations up to 10kHz
Optional Modulation	None (Q=0) TTL: 1Hz -1kHz (Q=1), 1kHz -10kHz (Q=2) Analog: 1Hz -1kHz (Q=3), 1kHz -10kHz (Q=4)
Expected lifetime (hours)	10,000
Warranty	10 months
Remarks	The laser head needs to be used on a heat sink with good heat dissipation.

Note: The above specifications are subject to change without notice.



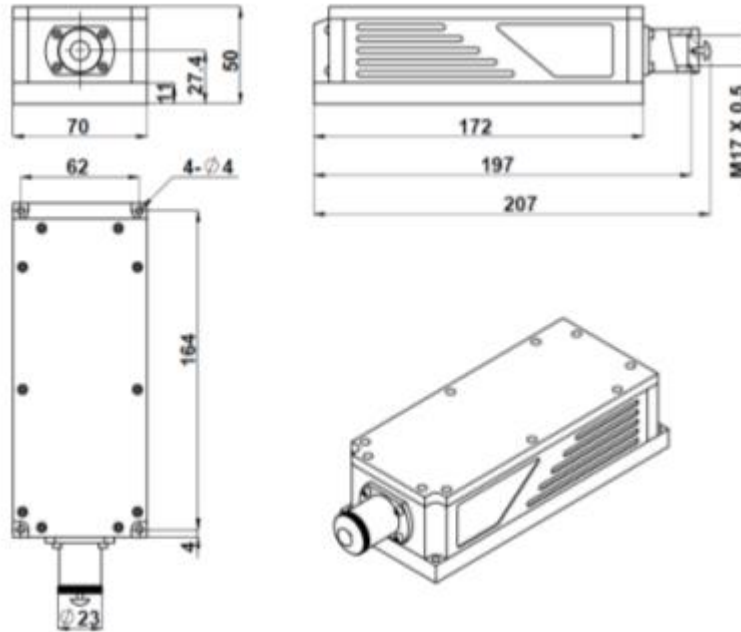
19608 Camino De Rosa, Walnut, CA 91789, USA | Tel: (909)718-0999 | Fax: (909)718-0998 |

E-mail: info@lasermate.com | URL: <http://www.lasermate.com>



Mechanical Outline (unit: mm)

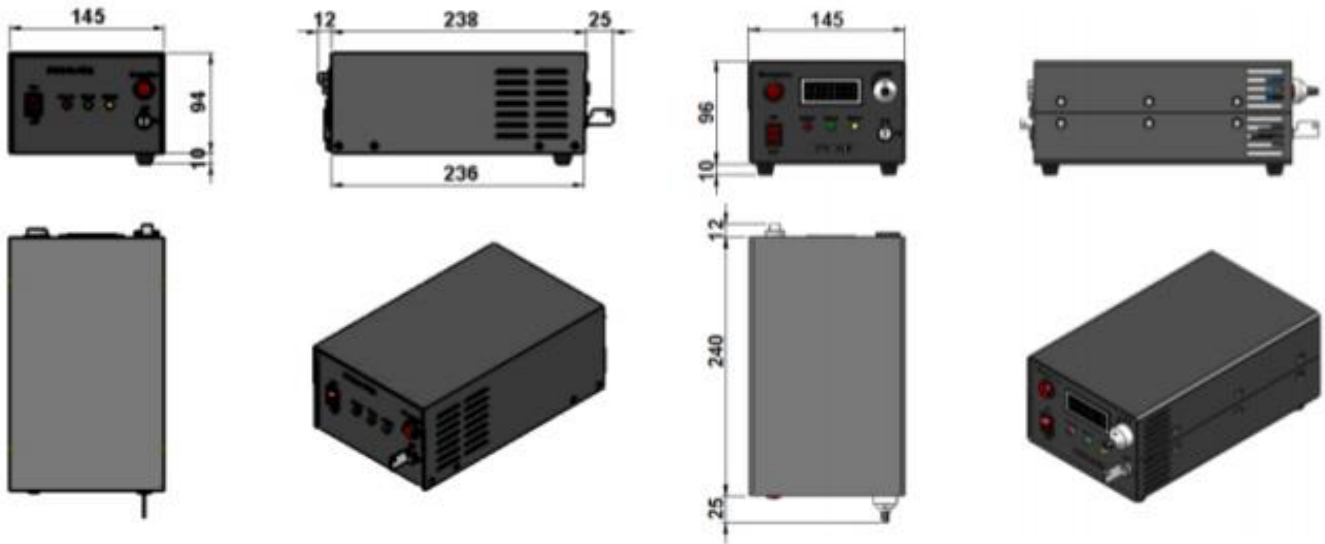
Laser Head



Power Supply

High Power Elite Power Supply (Y=H)

High Power Laboratory Power Supply (Y=M)



Note: The above specifications are subject to change without notice.