



**Model No. DPFN-607-XFYP**  
**607nm DPSS LASER UP TO >400mW**

The DPFN-series 607nm LD pumped all-solid-state laser is constructed with features of high stability, FDA compliance, good beam profile TEM<sub>00</sub>, ultra-compactness, long lifetime and easy operating. It is widely used as the substitute for He-Ne lasers, in measurement, spectrum analysis and many other applications.

**SPECIFICATIONS**

<b>Model No.</b>	<b>DPFN-607-XFYP</b>	
<b>Wavelength (nm)</b>	607±3	
<b>Output power (mW)</b>	>30 (X=30), >50 (X=50), >100 (X=100), >200 (X=200)	>300 (X=300), >400 (X=400)
<b>Transverse mode</b>	TEM <sub>00</sub>	
<b>Operating mode</b>	CW	
<b>Power stability (rms, over 4 hours)</b>	<10% (P=B), <5% (P=A), <3% (P=E)	<10% (P=B), <5% (P=A)
<b>M<sup>2</sup> factor</b>	<1.2	
<b>Dimensions of beam at aperture (1/e<sup>2</sup>, mm)</b>	~2.0	
<b>Beam divergence, full angle (mrad)</b>	<1.5	
<b>Polarization ratio</b>	>100:1 Horizontal ±5 degree	
<b>Warm-up time (minutes)</b>	<10	
<b>Beam height from base plate (mm)</b>	27.4	
<b>Operating temperature (°C)</b>	10~35	
<b>Laser head</b>	197(L)×70(W) ×50(H)mm <sup>3</sup> ; 1.36 kg	
<b>Power supply (90-240VAC)</b>	<b>High Power Elite Power Supply (Y=H):</b> 236(L) ×145(W) ×104(H) mm <sup>3</sup> , 2.3kg with complete FDA compliant features, such as the turnkey switch and interlock, and easy to operate; CW mode  <b>High Power Laboratory Power Supply (Y=M):</b> 277(L) ×145(W) ×106 (H) mm <sup>3</sup> , 2.6kg with complete FDA compliant features, such as the turnkey switch and interlock, and more functions; CW mode with the adjustable output power knob, and operating current LED display	
<b>Expected lifetime (hours)</b>	10,000	
<b>Warranty</b>	10 months	
<b>Remarks</b>	1. The stability of output power is promised at the maximum output power only. The stability of output power may change when you adjust the output power. 2. The laser head needs to be used on a heat sink with good heat dissipation.	

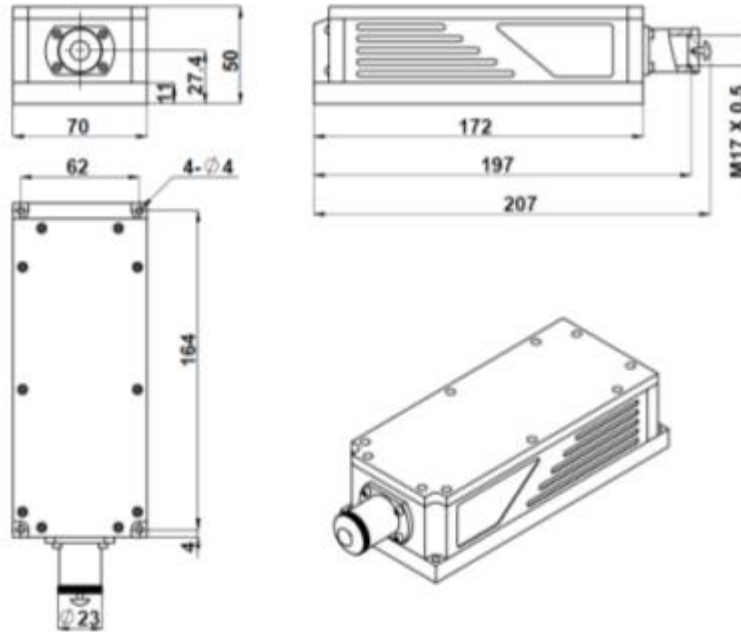
**Note: The above specifications are subject to change without notice.**





**Mechanical Outline (unit: mm)**

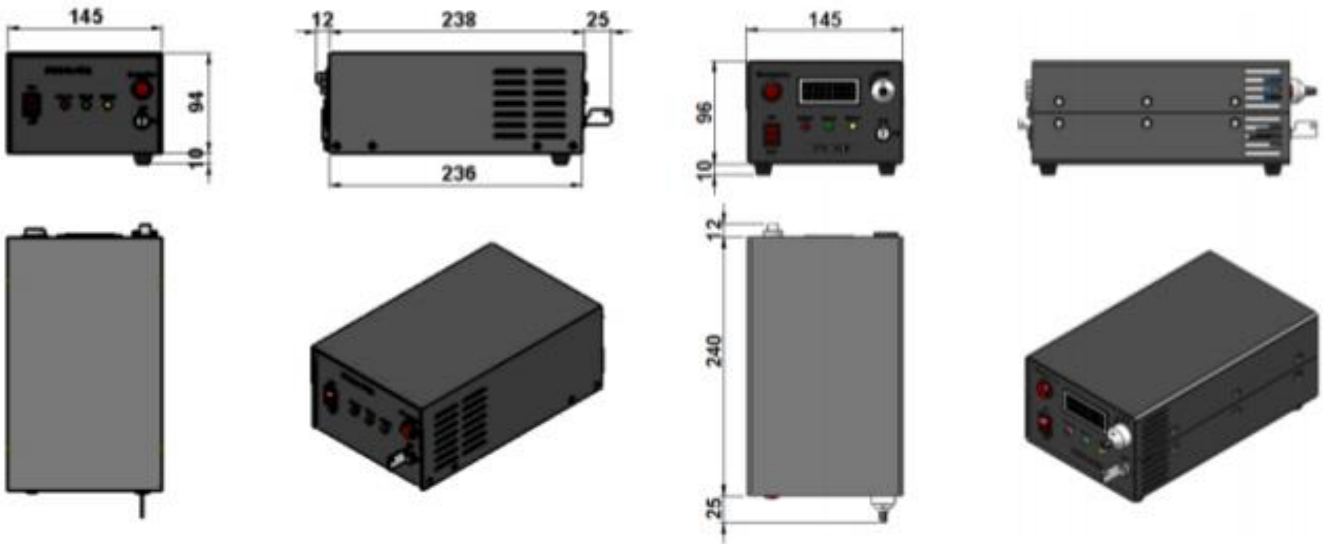
**Laser Head**



**Power Supply**

**High Power Elite Power Supply (Y=H)**

**High Power Laboratory Power Supply (Y=M)**



**Note: The above specifications are subject to change without notice.**

