



LASERMATE GROUP, INC.

The Friend of Lasers

Model No. DPFN-552-XFYP
552nm DPSS LASER UP TO >200mW

The DPFN-series 552nm LD pumped all-solid-state laser is constructed with features of high stability, FDA compliance, ultra-compactness, long lifetime and easy operating. It is widely used in measurement, medical treatment, scientific research, and many other applications.

SPECIFICATIONS

Model No.	DPFN-552-XFYP
Wavelength (nm)	552±1
Output power (mW)	>30 (X=30), >50 (X=50), >80 (X=80), >100 (X=100), >150 (X=150), >200 (X=200)
Transverse mode	Near TEM ₀₀
Operating mode	CW
Power stability (rms, over 4 hours)	<10% (P=B), <5% (P=A), <3% (P=E)
Dimensions of beam at aperture (1/e², mm)	~2.0
Beam divergence, full angle (mrad)	<2.0
Warm-up time (minutes)	<10
Beam height from base plate (mm)	27.4
Operating temperature (°C)	10~35
Laser head	197(L)×70(W) ×50(H)mm ³ ; 1.36kg
Power supply (90-240VAC)	High Power Laboratory Power Supply (Y=M): 277(L) ×145(W) ×106 (H) mm ³ , 2.6kg with complete FDA compliant features, such as the turnkey switch and interlock, and more functions; CW mode with the adjustable output power knob, and operating current LED display
Expected lifetime (hours)	10,000
Warranty	10 months

Note: The above specifications are subject to change without notice.



19608 Camino De Rosa, Walnut, CA 91789, USA | Tel: (909)718-0999 | Fax: (909)718-0998 |

E-mail: info@lasermate.com | URL: <http://www.lasermate.com>

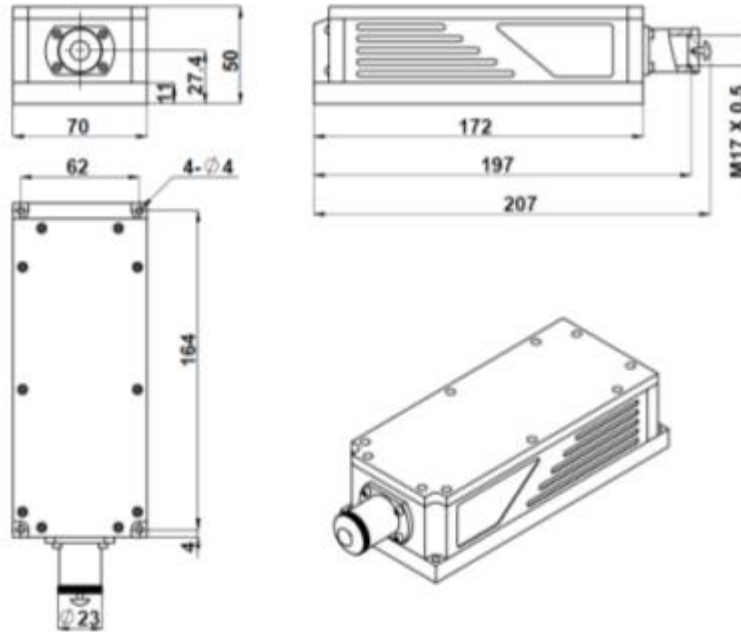


LASERMATE GROUP, INC.

The Friend of Lasers

Mechanical Outline (unit: mm)

Laser Head



Power Supply

High Power Laboratory Power Supply (Y=M)



Note: The above specifications are subject to change without notice.



19608 Camino De Rosa, Walnut, CA 91789, USA | Tel: (909)718-0999 | Fax: (909)718-0998 |

E-mail: info@lasermate.com | URL: <http://www.lasermate.com>