



LASERMATE GROUP, INC.

The Friend of Lasers

Model No. DPFN-473-XFYPZQ
473nm DPSS LASER UP TO >500mW

The DPFN-series 473nm LD pumped all-solid-state laser is constructed with features of high stability, low noise option, FDA compliance, ultra-compactness, long lifetime, low cost and easy operating. It is widely used in fluorescence sensors, Raman spectrum, holography, chip inspection, physics experiments, and many other applications.

SPECIFICATIONS

Model No.	DPFN-473-XFYPZQ
Wavelength (nm)	473±1
Output power (mW)	>200 (X=200), >300 (X=300), >400 (X=400), >500 (X=500)
Transverse mode	Near TEM ₀₀
Operating mode	CW
Power stability (rms, over 4 hours)	<5% (P=A), <3% (P=E), <2% (P=2)
Noise of amplitude (rms, 20Hz~20MHz)	<1% for Low Noise (Z=1), >1% (Z=2)
Spectral linewidth (nm)	<0.2 for Low Noise Z=1
Dimensions of beam at aperture (1/e², mm)	~3.0
Beam divergence, full angle (mrad)	<1.5
M² factor	<1.5
Polarization ratio	>100:1 Vertical±5 degree
Warm-up time (minutes)	<10
Beam height from base plate (mm)	27.4
Pointing stability after warm-up (mrad)	<0.05
Operating temperature (°C)	10~35
Laser head	197(L)×70(W) ×50(H) mm ³ ; 2.0 kg
Power supply (90-240VAC)	High Power Elite Power Supply (Y=H): 236(L) ×145(W) ×104(H) mm ³ , 2.3kg with complete FDA compliant features, such as the turnkey switch and interlock, and easy to operate; CW mode with optional TTL modulation up to 10kHz **Note: If with Low Noise Z=1, then only Y=H. High Power Laboratory Power Supply (Y=M): 277(L) ×145(W) ×106 (H) mm ³ , 2.6kg with complete FDA compliant features, such as the turnkey switch and interlock, and more functions; CW mode with the adjustable output power knob, the operating current LED display, and optional TTL/Analog modulations up to 10kHz
Optional Modulation	None (Q=0) TTL: 1Hz -1kHz (Q=1), 1kHz -10kHz (Q=2) Analog: 1Hz -1kHz (Q=3), 1kHz -10kHz (Q=4) **Note: Modulation option only available when Z=2.
Expected lifetime (hours)	10,000
Warranty	10 months
Remarks	The laser head needs to be used on a heat sink with good heat dissipation.

Note: The above specifications are subject to change without notice.



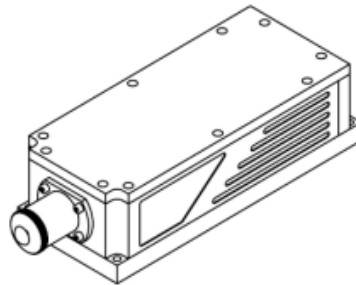
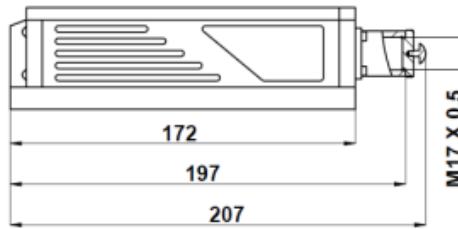
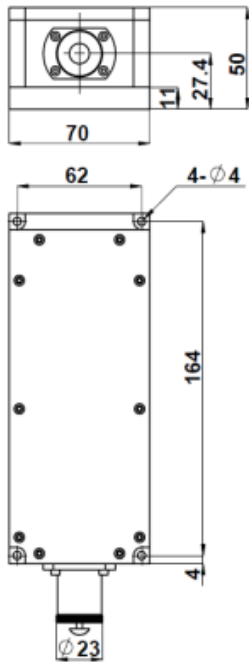
19608 Camino De Rosa, Walnut, CA 91789, USA | Tel: (909)718-0999 | Fax: (909)718-0998 |

E-mail: info@lasermate.com | URL: <http://www.lasermate.com>



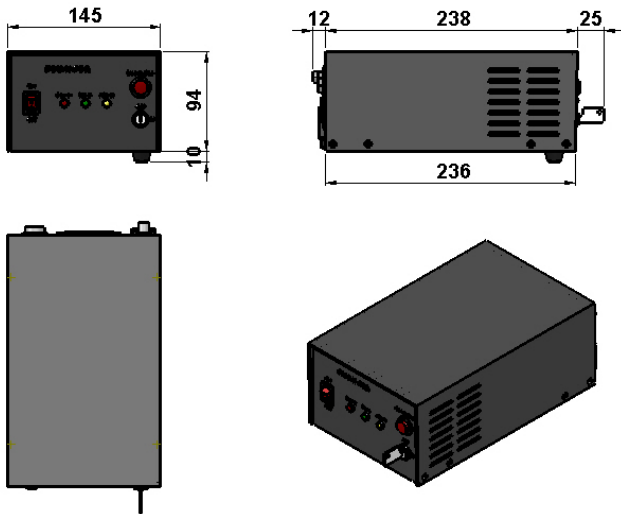
Mechanical Outline (unit: mm)

Laser Head

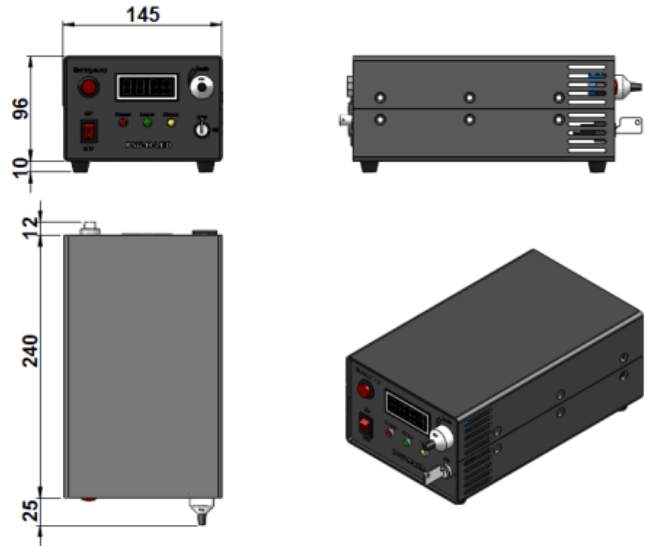


Power Supply

High Power Elite Power Supply (Y=H)



High Power Laboratory Power Supply (Y=M)



Note: The above specifications are subject to change without notice.

