



**Model No. DPF-303-XFYP
303nm CW DPSS LASER UP TO >5mW**

The DPF-series 303nm diode pumped solid state laser is constructed with features of high stability, FDA compliance, lightweight and compact design, high reliability, long lifetime, easy operating and low cost. This laser consists of the laser head and AC power supply with complete FDA compliant features. It is widely used in DNA sequencing, flow cytometry, optical instrument, spectrum analysis, measurement, cell sorting, physics experiment, laser rapid modeling, and many other applications.

SPECIFICATIONS

Model No.	DPF-303-XFYP
Wavelength (nm)	303±1
Output power (mW)	>1 (X=1), >3 (X=3), >5 (X=5)
Transverse mode	Near TEM ₀₀
Operating mode	CW
Power stability (rms, over 4 hours)	<10% (P=B)
Dimensions of beam at aperture (mm)	~3.0
Beam divergence, full angle (mrad)	<2.0
M² factor	<2.0
Polarization ratio	>50:1 (Horizontal)
Warm-up time (minutes)	<10
Beam height from base plate (mm)	45
Operating temperature (°C)	10~35
Spectral purity	>99%
Laser head	245.5(L)×88(W) ×74(H) mm ³ , 2.0 kg
Power supply (90-240VAC)	High Power Elite Power Supply (Y=H): 236(L) ×145(W) ×104(H) mm ³ , 2.3 kg; complete FDA compliant features, such as the turnkey switch and interlock, and easy to operate; CW mode
Expected lifetime (hours)	5,000
Warranty	10 months

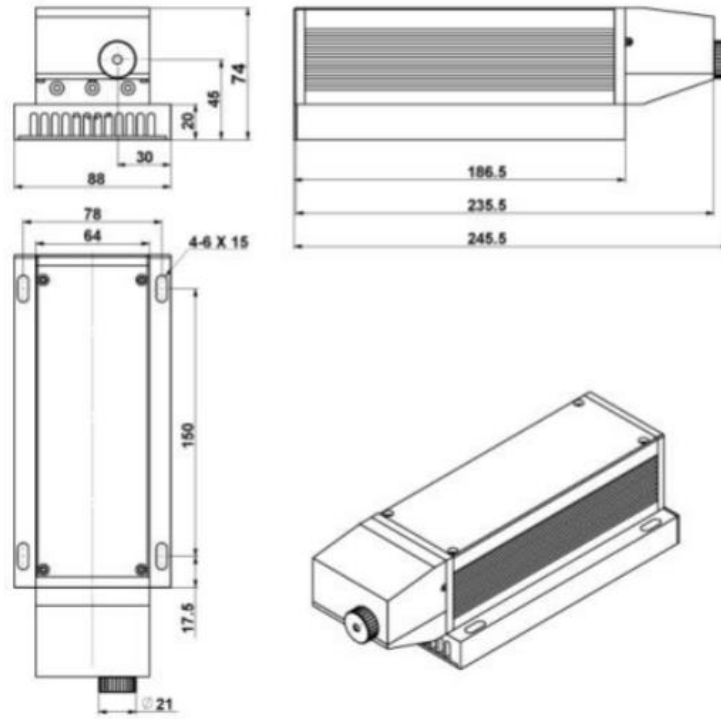
Note: The above specifications are subject to change without notice.





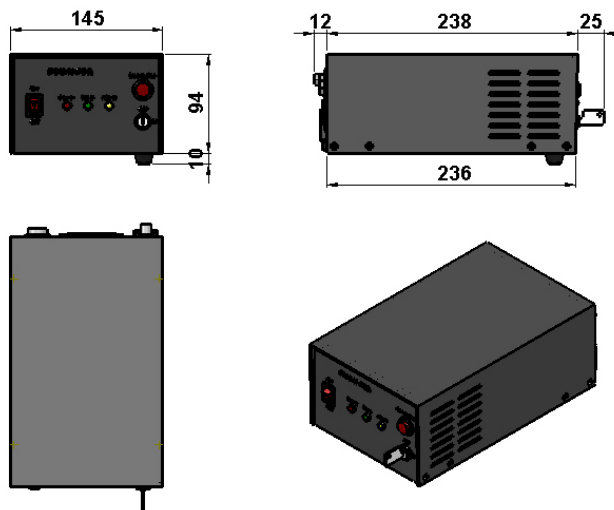
Mechanical Outline (unit: mm)

Laser Head



Power Supply

High Power Elite Power Supply (Y=H):



Note: The above specifications are subject to change without notice.

